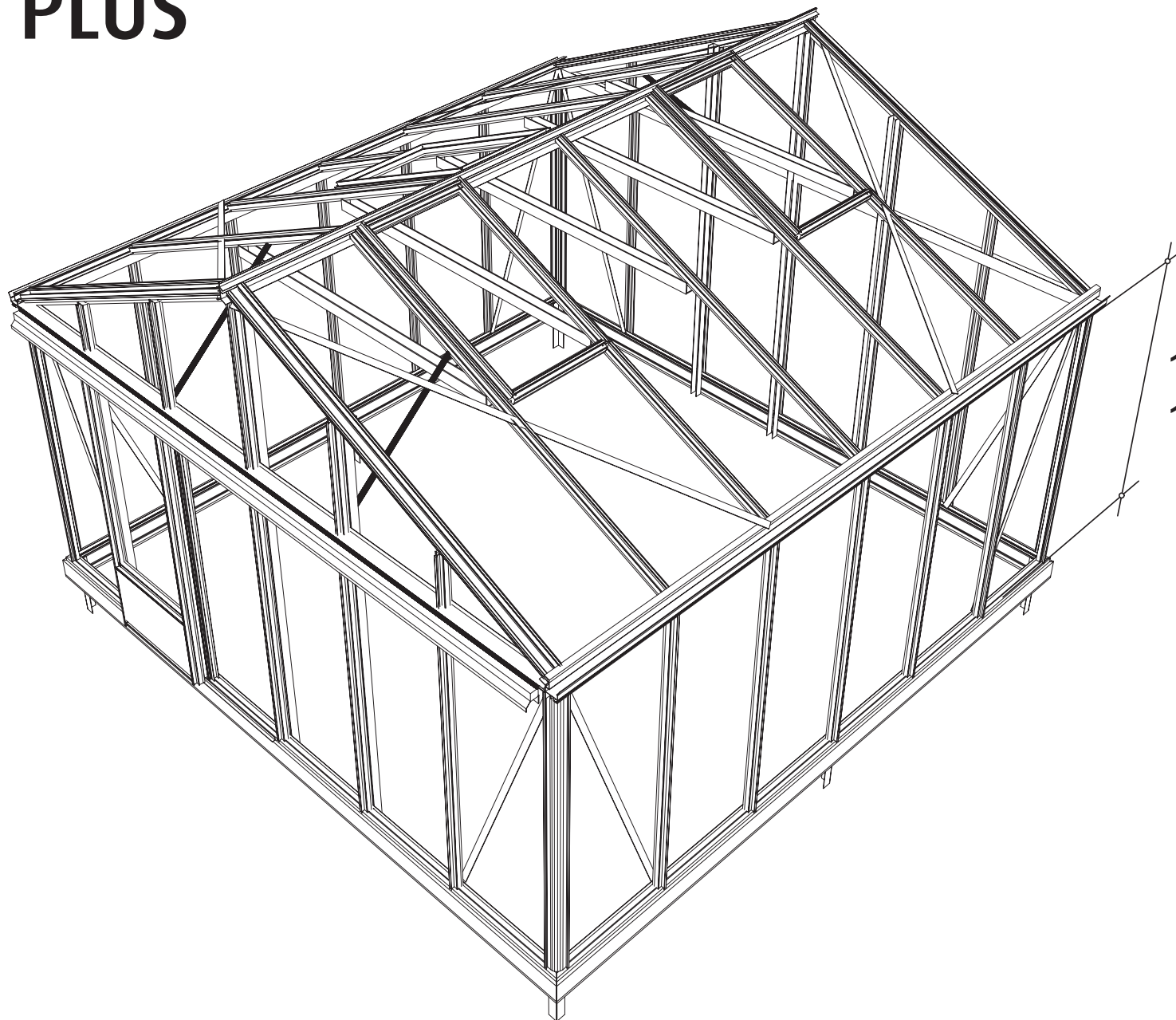
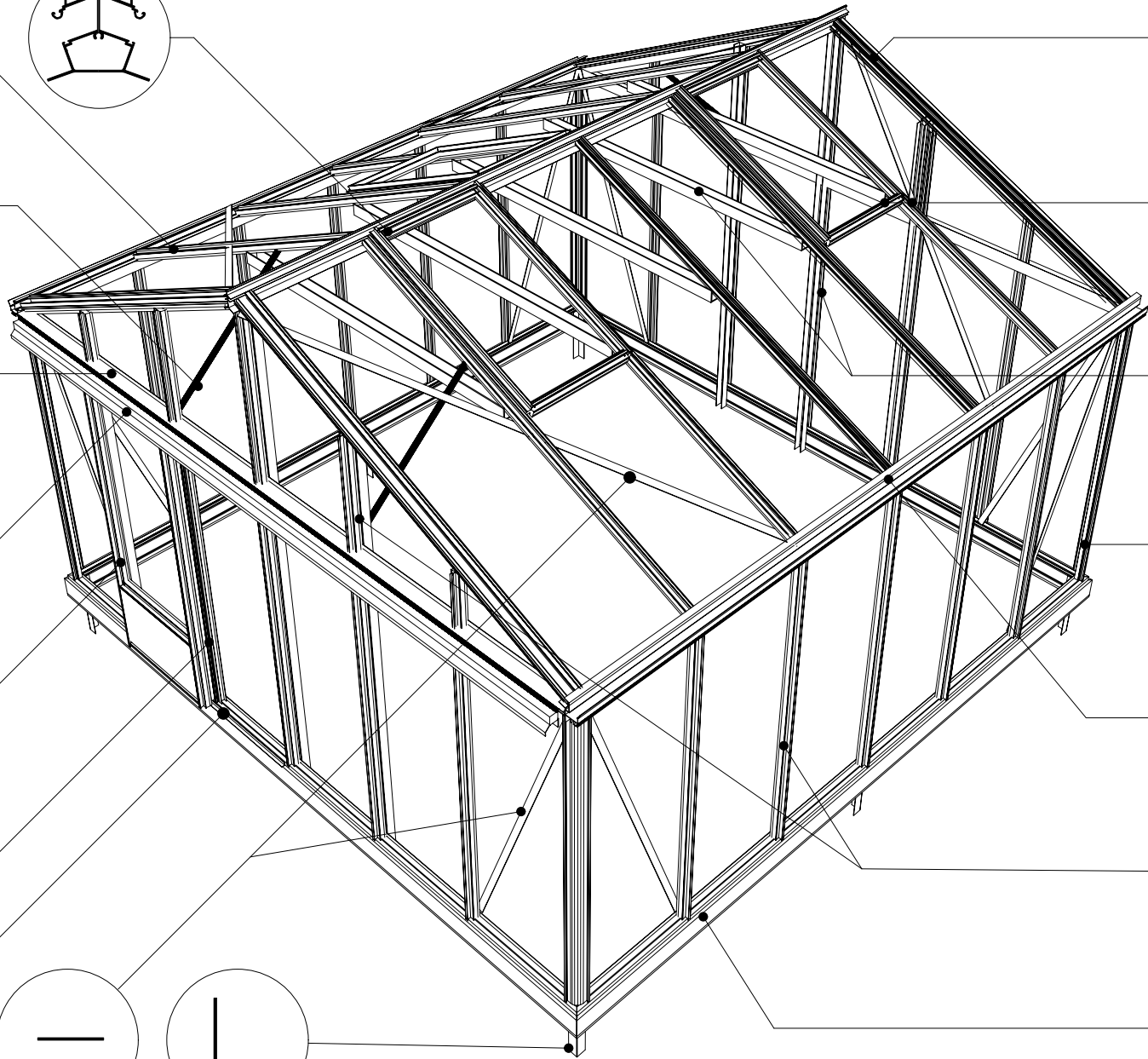
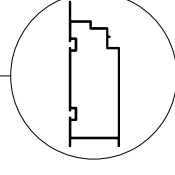
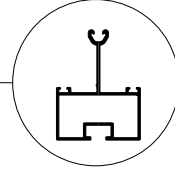
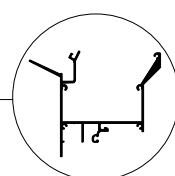
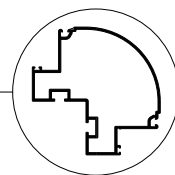
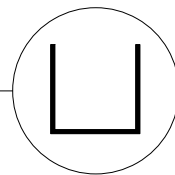
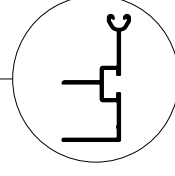
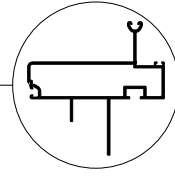
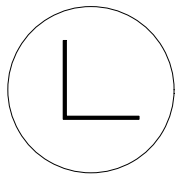
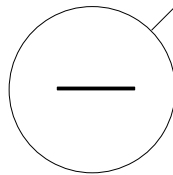
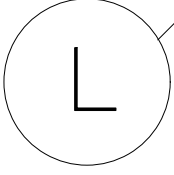
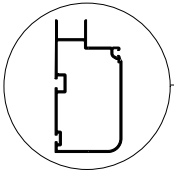
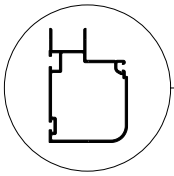
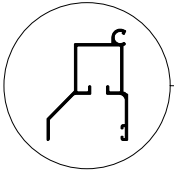
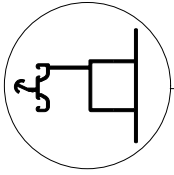
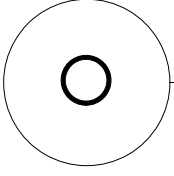
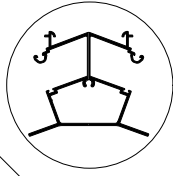
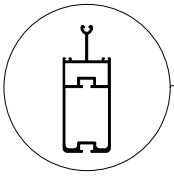


# TROPIC PLUS


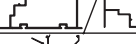



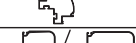
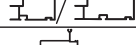
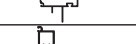
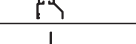
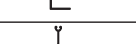



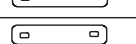
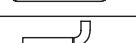

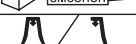
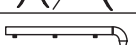

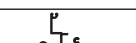

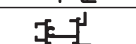






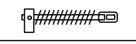



4,09m  
6,07m



1633 = A  
1833 = B



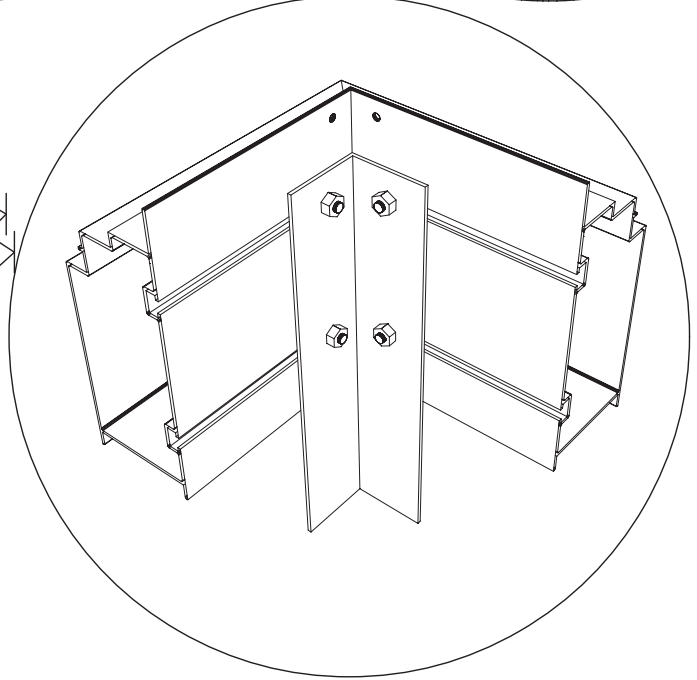
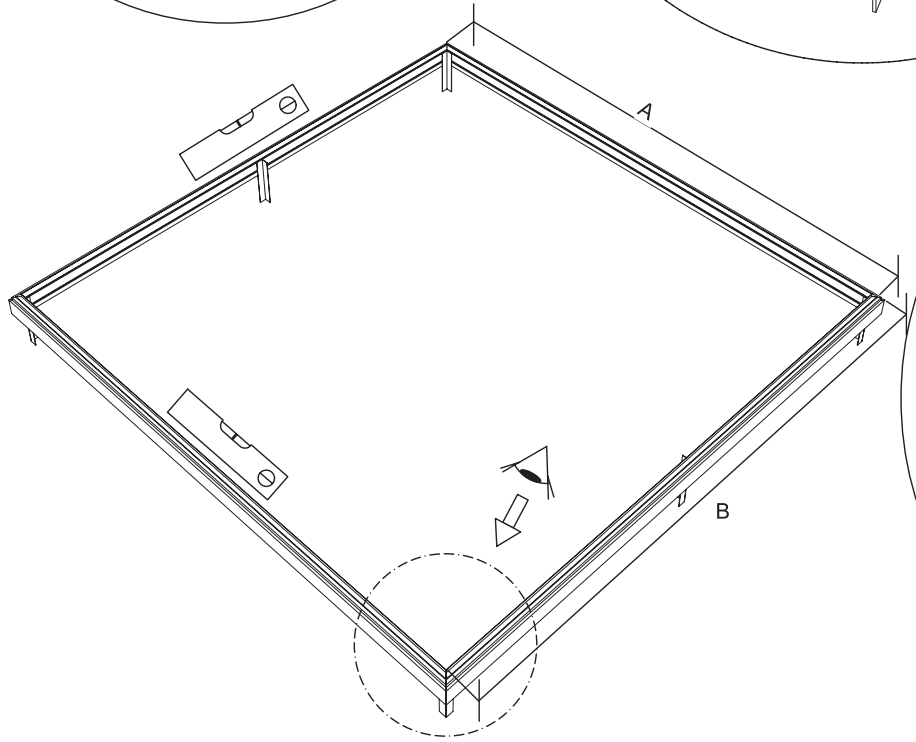
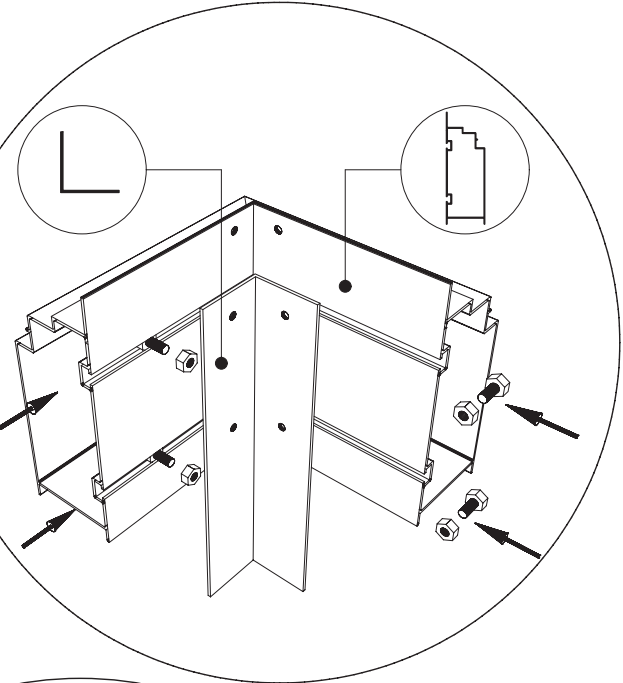
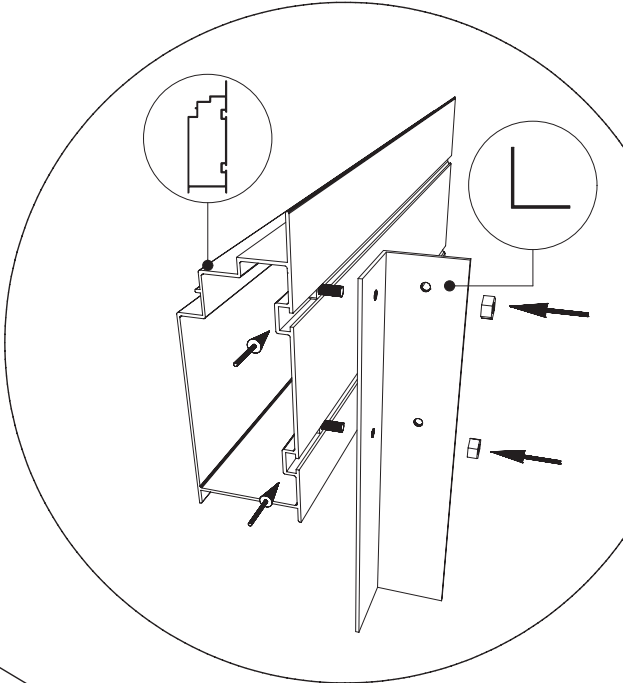
A	4,09 X	4,09	5,08	6,07	7,06	8,05	9,04
1-1A		2 x 4097	2 x 4097	2 x 4097	2 x 4097	2 x 4097	2 x 4097
		2 x 4097	2 x 5087	2 x 6077	2 x 7067	2 x 8057	2 x 9047
2T-Z		2 x 4097	2 x 5087	2 x 6077	2 x 7067	2 x 8057	2 x 9047
3T-Z		1 x 4097	1 x 5087	1 x 6077	1 x 7067	1 x 8057	1 x 9047
(4T)		2 x 3990	2 x 3990	2 x 3990	2 x 3990	2 x 3990	2 x 3990
(5T)		4 x 1633	4 x 1633	4 x 1633	4 x 1633	4 x 1633	4 x 1633
6T-56T		1 + 1 x 1633	1 + 1 x 1633	1 + 1 x 1633	1 + 1 x 1633	1 + 1 x 1633	1 + 1 x 1633
(7T)		4 x 2080	4 x 2080	4 x 2080	4 x 2080	4 x 2080	4 x 2080
(8)		1 x 3940	1 x 3940	1 x 3940	1 x 3940	1 x 3940	1 x 3940
(33)		1 x 3940	1 x 3940	1 x 3940	1 x 3940	1 x 3940	1 x 3940
(10T)		10 x 1633	12 x 1633	14 x 1633	16 x 1633	18 x 1633	20 x 1633
		4 x 370	4 x 370	4 x 370	4 x 370	4 x 370	4 x 370
		2 x 700	2 x 700	2 x 700	2 x 700	2 x 700	2 x 700
(12)		4 x 3635	4 x 3635	4 x 3635	4 x 3635	4 x 3635	4 x 3635
		8 x 1915	8 x 1915	8 x 1915	8 x 1915	8 x 1915	8 x 1915
13T		2 x 1730	2 x 1730	2 x 1730	2 x 1730	2 x 1730	2 x 1730
(14)		1 x	1 x	1 x	1 x	1 x	1 x
R2-R1		40 lm / 90 lm	45 lm / 93 lm	55 lm / 106 lm	65 lm / 115 lm	75 lm / 122 lm	85 lm / 130 lm
(16)		1 x	1 x	1 x	1 x	1 x	1 x
(17)		6 x 500	6 x 500	6 x 500	6 x 500	6 x 500	6 x 500
(18T)		3 x 1025	3 x 1025	5 x 1025	6 x 1025	6 x 1025	6 x 1025
(19T)		6 x 807	6 x 807	10 x 807	12 x 807	12 x 807	12 x 807
(20T)		3 x 990	3 x 990	5 x 990	6 x 990	6 x 990	6 x 990
(21T)		3 x 950	3 x 950	5 x 950	6 x 950	6 x 950	6 x 950
(R7)		3 x 980	3 x 980	5 x 980	6 x 980	6 x 980	6 x 980
(24T)		6 x 2080	8 x 2080	10 x 2080	12 x 2080	14 x 2080	16 x 2080
(26)		2 x 2485	2 x 2485	2 x 2485	2 x 2485	2 x 2485	2 x 2485
		3 x 2000	4 x 2000	5 x 2000	6 x 2000	7 x 2000	8 x 2000
(27)		4 x 1150	4 x 1150	4 x 1150	4 x 1150	4 x 1150	4 x 1150
(29)		3 x	3 x	5 x	6 x	6 x	6 x
(30)		1 x	1 x	1 x	1 x	1 x	1 x
(57T)		35 x	39 x	45 x	50 x	54 x	60 x

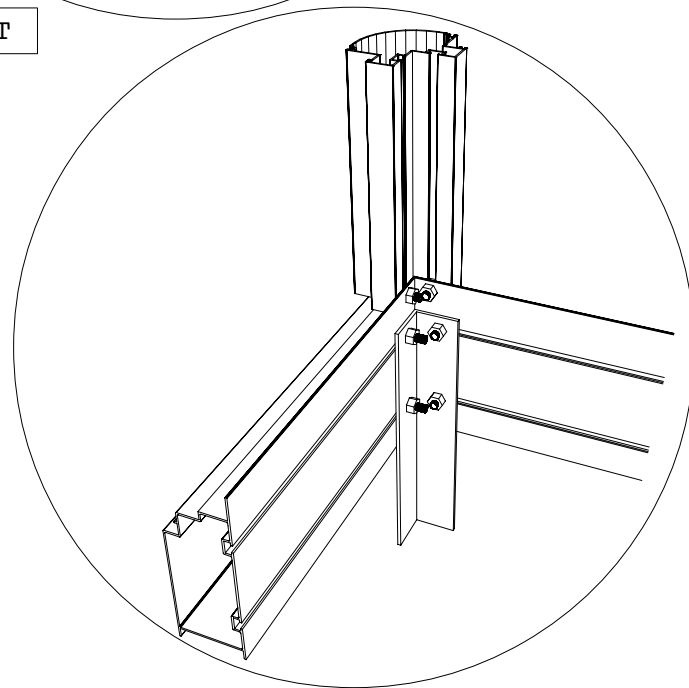
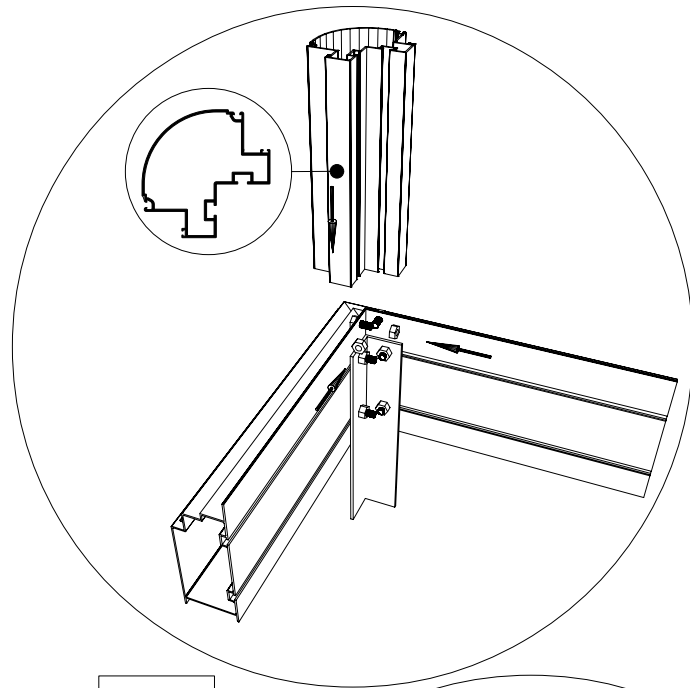
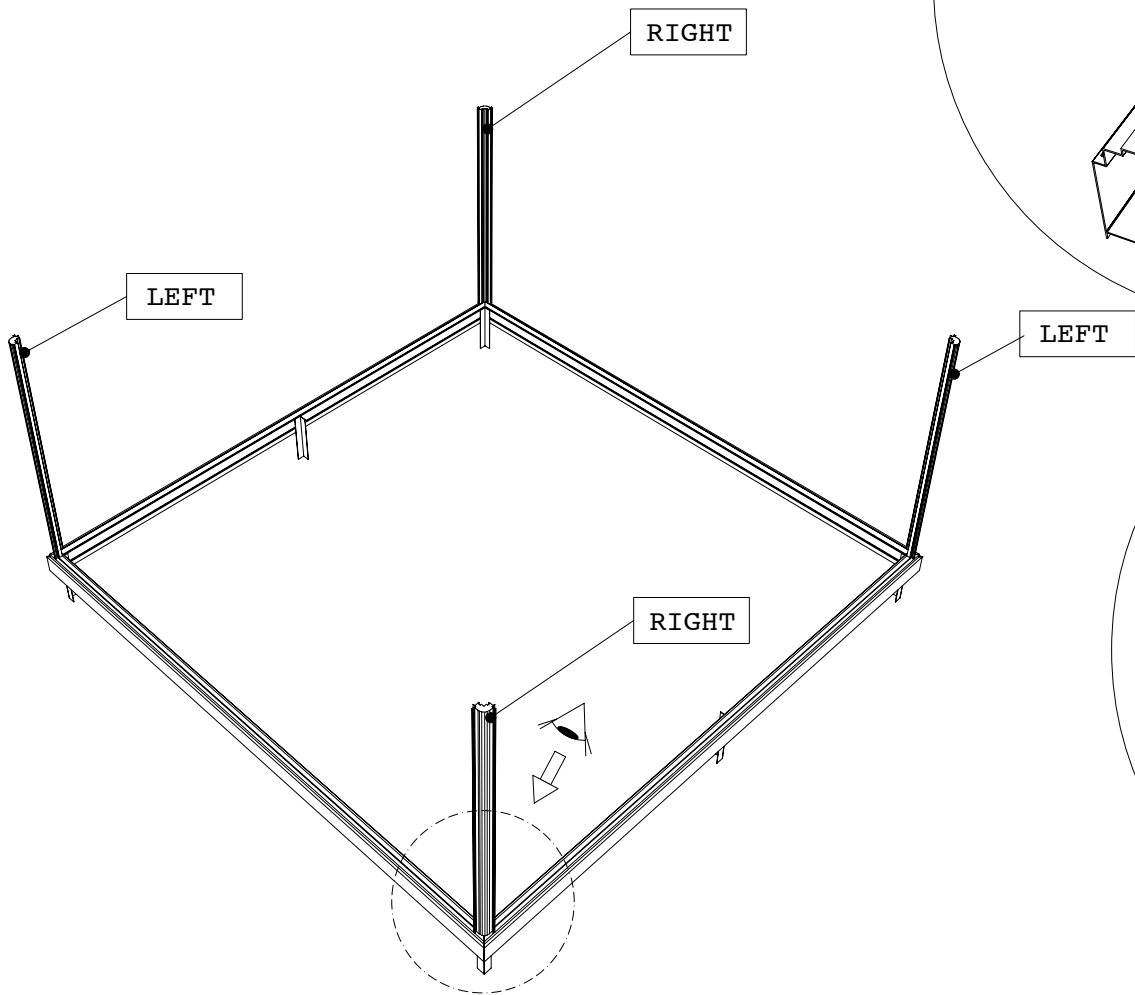
B	4,09 X	4,09	5,08	6,07	7,06	8,05	9,04
1-1A		2 x 4097	2 x 4097	2 x 4097	2 x 4097	2 x 4097	2 x 4097
		2 x 4097	2 x 5087	2 x 6077	2 x 7067	2 x 8057	2 x 9047
2T-Z		2 x 4097	2 x 5087	2 x 6077	2 x 7067	2 x 8057	2 x 9047
3T-Z		1 x 4097	1 x 5087	1 x 6077	1 x 7067	1 x 8057	1 x 9047
(4T)		2 x 3990	2 x 3990	2 x 3990	2 x 3990	2 x 3990	2 x 3990
(5T)		4 x 1833	4 x 1833	4 x 1833	4 x 1833	4 x 1833	4 x 1833
6T-56T		1 + 1 x 1833	1 + 1 x 1833	1 + 1 x 1833	1 + 1 x 1833	1 + 1 x 1833	1 + 1 x 1833
(7T)		4 x 2080	4 x 2080	4 x 2080	4 x 2080	4 x 2080	4 x 2080
(8)		1 x 3940	1 x 3940	1 x 3940	1 x 3940	1 x 3940	1 x 3940
(33)		1 x 3940	1 x 3940	1 x 3940	1 x 3940	1 x 3940	1 x 3940
(10T)		10 x 1833	12 x 1833	14 x 1833	16 x 1833	18 x 1833	20 x 1833
		4 x 370	4 x 370	4 x 370	4 x 370	4 x 370	4 x 370
		2 x 700	2 x 700	2 x 700	2 x 700	2 x 700	2 x 700
(12)		4 x 3635	4 x 3635	4 x 3635	4 x 3635	4 x 3635	4 x 3635
		8 x 2087	8 x 2087	8 x 2087	8 x 2087	8 x 2087	8 x 2087
13T		2 x 1930	2 x 1930	2 x 1930	2 x 1930	2 x 1930	2 x 1930
(14)		1 x	1 x	1 x	1 x	1 x	1 x
R2-R1		42 lm / 92 lm	48 lm / 100 lm	58 lm / 110 lm	68 lm / 120 lm	79 lm / 124 lm	89 lm / 136 lm
(16)		1 x	1 x	1 x	1 x	1 x	1 x
(17)		6 x 500	6 x 500	6 x 500	6 x 500	6 x 500	6 x 500
(18T)		3 x 1025	3 x 1025	5 x 1025	6 x 1025	6 x 1025	6 x 1025
(19T)		6 x 807	6 x 807	10 x 807	12 x 807	12 x 807	12 x 807
(20T)		3 x 990	3 x 990	5 x 990	6 x 990	6 x 990	6 x 990
(21T)		3 x 950	3 x 950	5 x 950	6 x 950	6 x 950	6 x 950
R7		3 x 980	3 x 980	5 x 980	6 x 980	6 x 980	6 x 980
(24T)		6 x 2080	8 x 2080	10 x 2080	12 x 2080	14 x 2080	16 x 2080
(26)		2 x 2485	2 x 2485	2 x 2485	2 x 2485	2 x 2485	2 x 2485
		3 x 2000	4 x 2000	5 x 2000	6 x 2000	7 x 2000	8 x 2000
(27)		4 x 1150	4 x 1150	4 x 1150	4 x 1150	4 x 1150	4 x 1150
(29)		3 x	3 x	5 x	6 x	6 x	6 x
(30)		1 x	1 x	1 x	1 x	1 x	1 x
(57T)		35 x	39 x	45 x	50 x	54 x	60 x

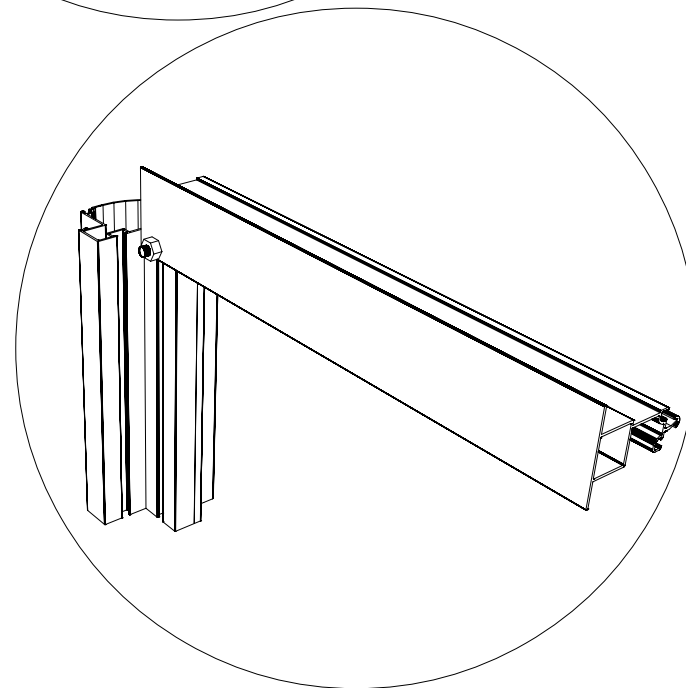
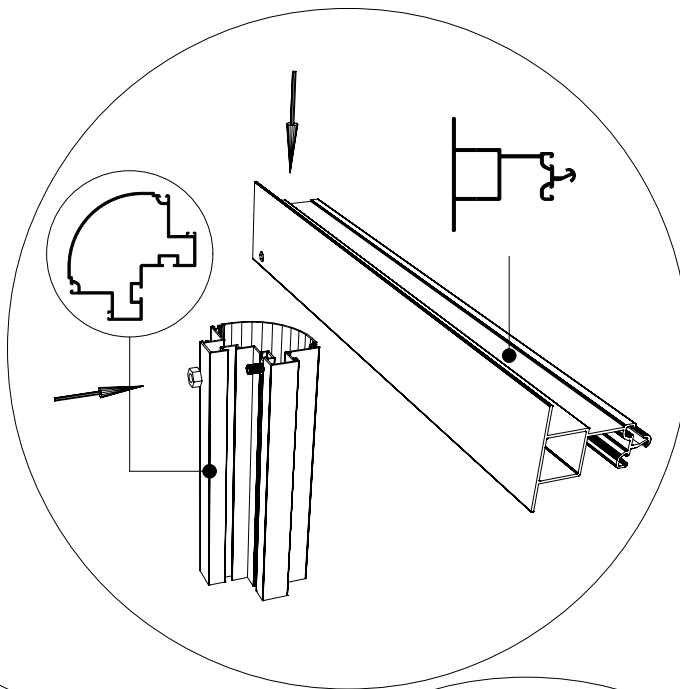
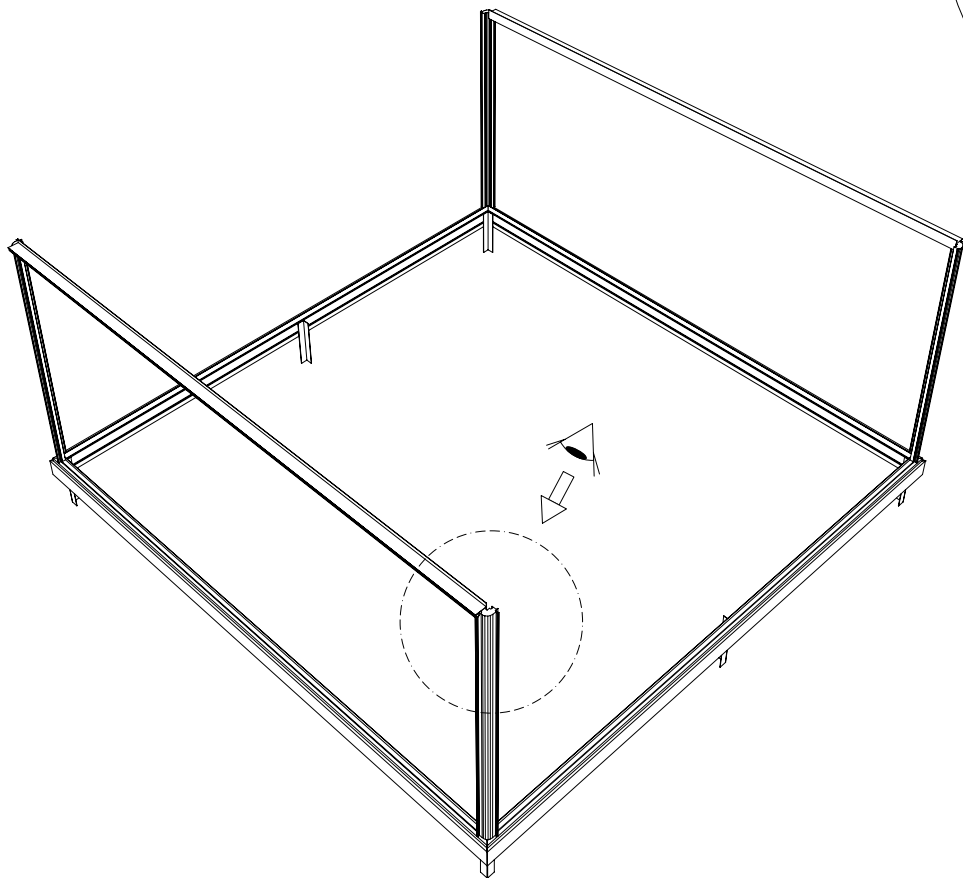
XA	6,08 X	4,09	5,08	6,07	7,06	8,05	9,04
1-1A		2 x 6079	2 x 6079	2 x 6079	2 x 6079	2 x 6079	2 x 6079
		2 x 4097	2 x 5087	2 x 6077	2 x 7067	2 x 8057	2 x 9047
2T-Z		2 x 4097	2 x 5087	2 x 6077	2 x 7067	2 x 8057	2 x 9047
3T-Z		1 x 4097	1 x 5087	1 x 6077	1 x 7067	1 x 8057	1 x 9047
(4T)		2 x 5968	2 x 5968	2 x 5968	2 x 5968	2 x 5968	2 x 5968
(5T)		4 x 1633	4 x 1633	4 x 1633	4 x 1633	4 x 1633	4 x 1633
6T-56T		1 + 1 x 1633	1 + 1 x 1633	1 + 1 x 1633	1 + 1 x 1633	1 + 1 x 1633	1 + 1 x 1633
(7T)		4 x 3138	4 x 3138	4 x 3138	4 x 3138	4 x 3138	4 x 3138
(8)		1 x 5910	1 x 5910	1 x 5910	1 x 5910	1 x 5910	1 x 5910
(33)		1 x 5910	1 x 5910	1 x 5910	1 x 5910	1 x 5910	1 x 5910
(10T)		14 x 1633	16 x 1633	18 x 1633	20 x 1633	22 x 1633	24 x 1633
		4 x 722	4 x 722	4 x 722	4 x 722	4 x 722	4 x 722
		4 x 378	4 x 378	4 x 378	4 x 378	4 x 378	4 x 378
		2 x 1068	2 x 1068	2 x 1068	2 x 1068	2 x 1068	2 x 1068
(12)		4 x 3707	4 x 3707	4 x 3707	4 x 3707	4 x 3707	4 x 3707
		8 x 1915	8 x 1915	8 x 1915	8 x 1915	8 x 1915	8 x 1915
13T		2 x 1730	2 x 1730	2 x 1730	2 x 1730	2 x 1730	2 x 1730
(14)		1 x	1 x	1 x	1 x	1 x	1 x
R2-R1		60 lm / 120 lm	72 lm / 126 lm	82 lm / 126 lm	92 lm / 135 lm	102 lm / 145 lm	112 lm / 155 lm
(16)		1 x	1 x	1 x	1 x	1 x	1 x
(17)		6 x 500	6 x 500	6 x 500	6 x 500	6 x 500	6 x 500
(18T)		4 x 1025	4 x 1025	5 x 1025	5 x 1025	6 x 1025	6 x 1025
(19T)		8 x 807	8 x 807	10 x 807	10 x 807	12 x 807	12 x 807
(20T)		4 x 990	4 x 990	5 x 990	5 x 990	6 x 990	6 x 990
(21T)		4 x 950	4 x 950	5 x 950	5 x 950	6 x 950	6 x 950
R7		4 x 980	4 x 980	5 x 980	5 x 980	6 x 980	6 x 980
(24T)		6 x 3138	8 x 3138	10 x 3138	12 x 3138	14 x 3138	16 x 3138
(26)		2 x 2840 / 4 x 2505	2 x 2840 / 4 x 2505	2 x 2840 / 4 x 2505	2 x 2840 / 4 x 2505	2 x 2840 / 4 x 2505	2 x 2840 / 4 x 2505
		3 x 2000	4 x 2000	5 x 2000	6 x 2000	7 x 2000	8 x 2000
(27)		4 x 1150	4 x 1150	4 x 1150	4 x 1150	4 x 1150	4 x 1150
(29)		3 x	3 x	5 x	5 x	6 x	6 x
(30)		1 x	1 x	1 x	1 x	1 x	1 x
(57T)		47 x	50 x	53 x	58 x	61 x	65 x

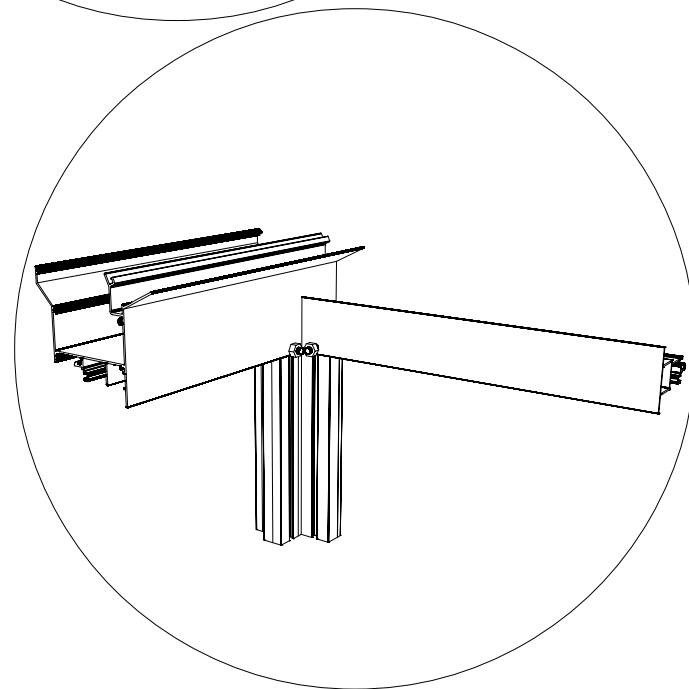
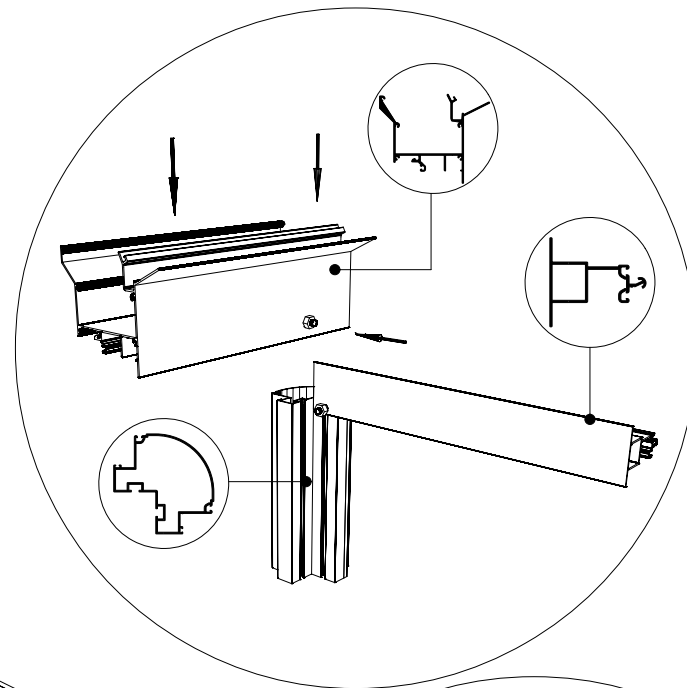
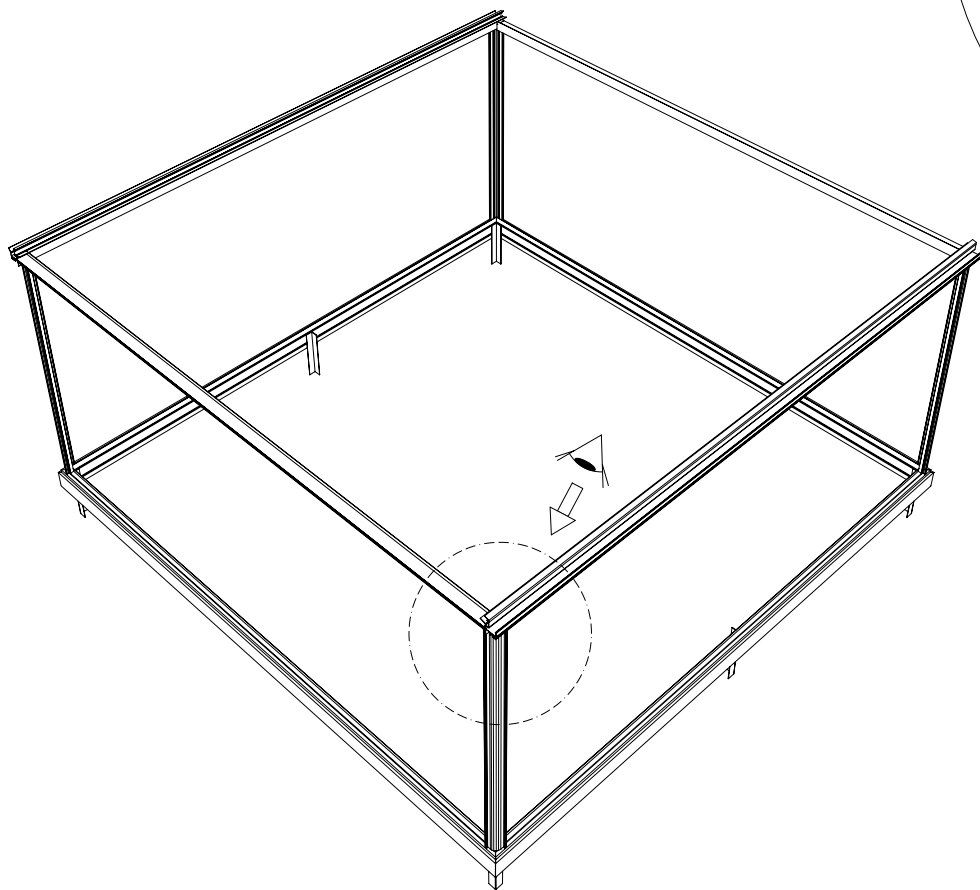
XB	6,08 X	4,09	5,08	6,07	7,06	8,05	9,04
1-1A		2 x 6079	2 x 6079	2 x 6079	2 x 6079	2 x 6079	2 x 6079
		2 x 4097	2 x 5087	2 x 6077	2 x 7067	2 x 8057	2 x 9047
2T-Z		2 x 4097	2 x 5087	2 x 6077	2 x 7067	2 x 8057	2 x 9047
3T-Z		1 x 4097	1 x 5087	1 x 6077	1 x 7067	1 x 8057	1 x 9047
(4T)		2 x 5968	2 x 5968	2 x 5968	2 x 5968	2 x 5968	2 x 5968
(5T)		4 x 1833	4 x 1833	4 x 1833	4 x 1833	4 x 1833	4 x 1833
6T-56T		1 + 1 x 1833	1 + 1 x 1833	1 + 1 x 1833	1 + 1 x 1833	1 + 1 x 1833	1 + 1 x 1833
(7T)		4 x 3138	4 x 3138	4 x 3138	4 x 3138	4 x 3138	4 x 3138
(8)		1 x 5910	1 x 5910	1 x 5910	1 x 5910	1 x 5910	1 x 5910
(33)		1 x 5910	1 x 5910	1 x 5910	1 x 5910	1 x 5910	1 x 5910
(10T)		14 x 1833	16 x 1833	18 x 1833	20 x 1833	22 x 1833	24 x 1833
		4 x 722	4 x 722	4 x 722	4 x 722	4 x 722	4 x 722
		4 x 378	4 x 378	4 x 378	4 x 378	4 x 378	4 x 378
		2 x 1068	2 x 1068	2 x 1068	2 x 1068	2 x 1068	2 x 1068
(12)		4 x 3707	4 x 3707	4 x 3707	4 x 3707	4 x 3707	4 x 3707
		8 x 2087	8 x 2087	8 x 2087	8 x 2087	8 x 2087	8 x 2087
13-T		2 x 1930	2 x 1930	2 x 1930	2 x 1930	2 x 1930	2 x 1930
(14)		1 x	1 x	1 x	1 x	1 x	1 x
R2-R1		65 lm / 125 lm	75 lm / 130 lm	89 lm / 150 lm	100 lm / 155 lm	110 lm / 150 lm	117 lm / 160 lm
(16)		1 x	1 x	1 x	1 x	1 x	1 x
(17)		6 x 500	6 x 500	6 x 500	6 x 500	6 x 500	6 x 500
(18T)		4 x 1025	4 x 1025	5 x 1025	5 x 1025	6 x 1025	6 x 1025
(19T)		8 x 807	8 x 807	10 x 807	10 x 807	12 x 807	12 x 807
(20T)		4 x 990	4 x 990	5 x 990	5 x 990	6 x 990	6 x 990
(21T)		4 x 950	4 x 950	5 x 950	5 x 950	6 x 950	6 x 950
R7		4 x 980	4 x 980	5 x 980	5 x 980	6 x 980	6 x 980
(24T)		6 x 3138	8 x 3138	10 x 3138	12 x 3138	14 x 3138	16 x 3138
(26)		2 x 2840 / 4 x 2505	2 x 2840 / 4 x 2505	2 x 2840 / 4 x 2505	2 x 2840 / 4 x 2505	2 x 2840 / 4 x 2505	2 x 2840 / 4 x 2505
		3 x 2000	4 x 2000	5 x 2000	6 x 2000	7 x 2000	8 x 2000
(27)		4 x 1150	4 x 1150	4 x 1150	4 x 1150	4 x 1150	4 x 1150
(29)		3 x	3 x	5 x	5 x	6 x	6 x
(30)		1 x	1 x	1 x	1 x	1 x	1 x
(57T)		47 x	50 x	53 x	58 x	61 x	65 x

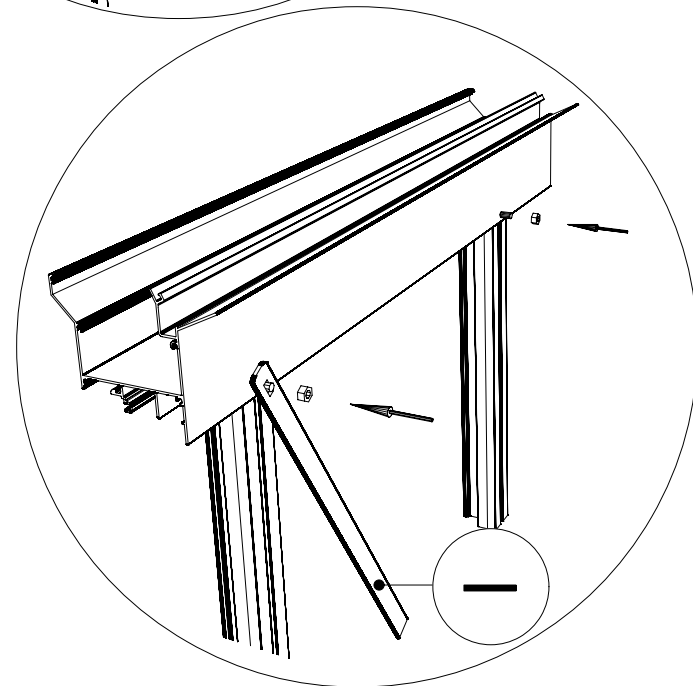
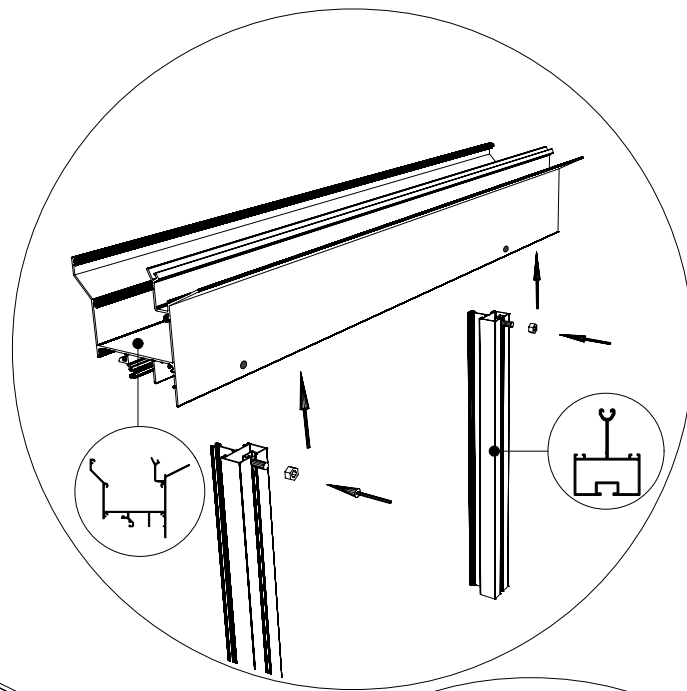
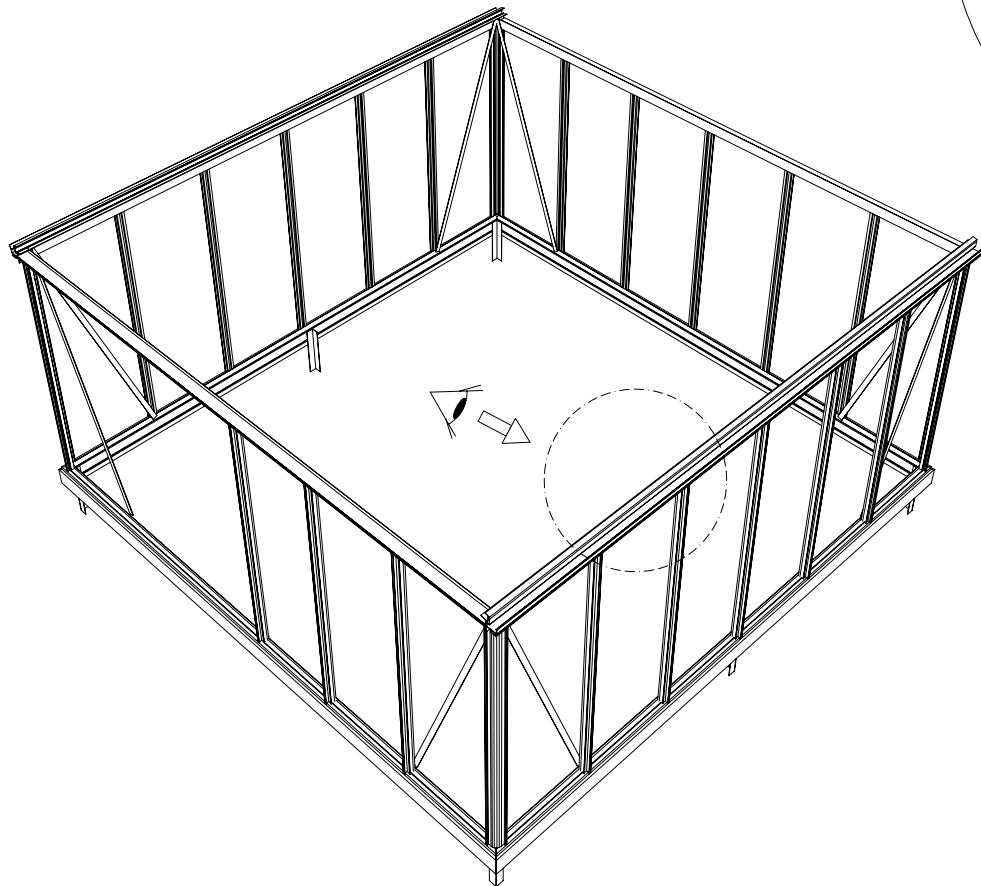
A	B
4097	4097
6077	5087
	6077
	7067
	8057

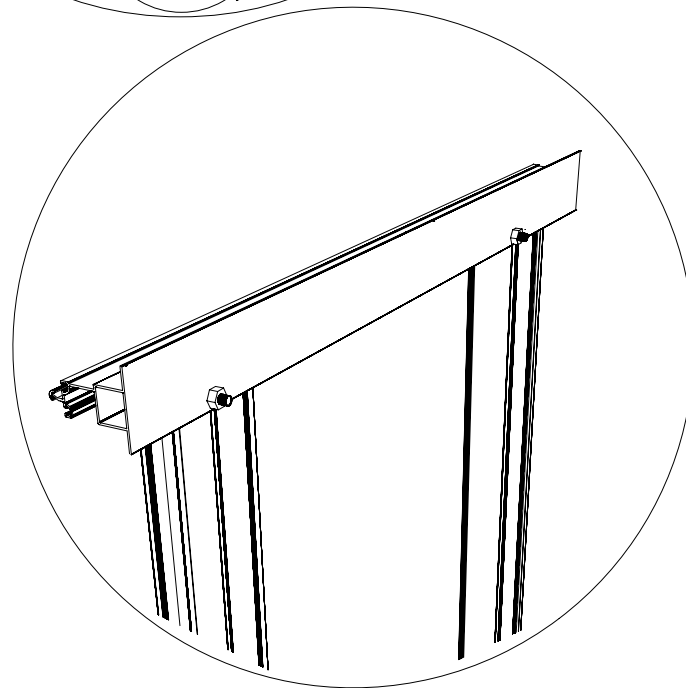
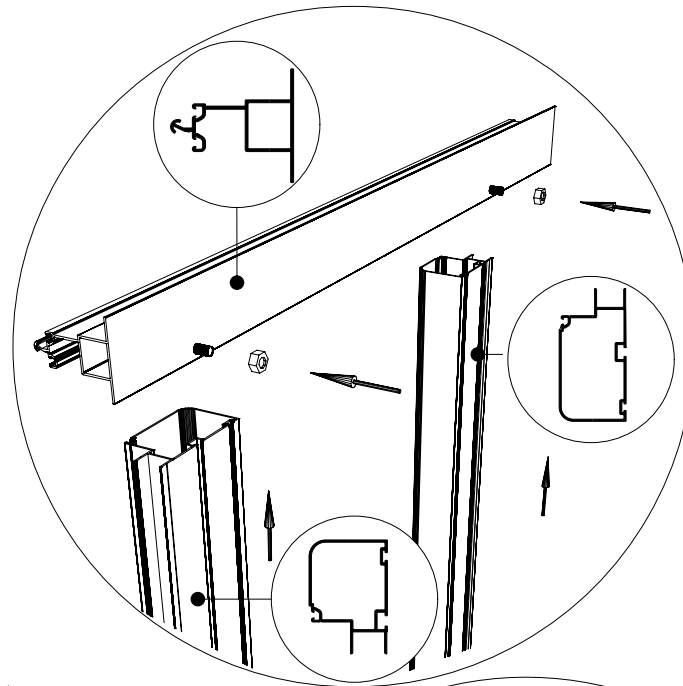
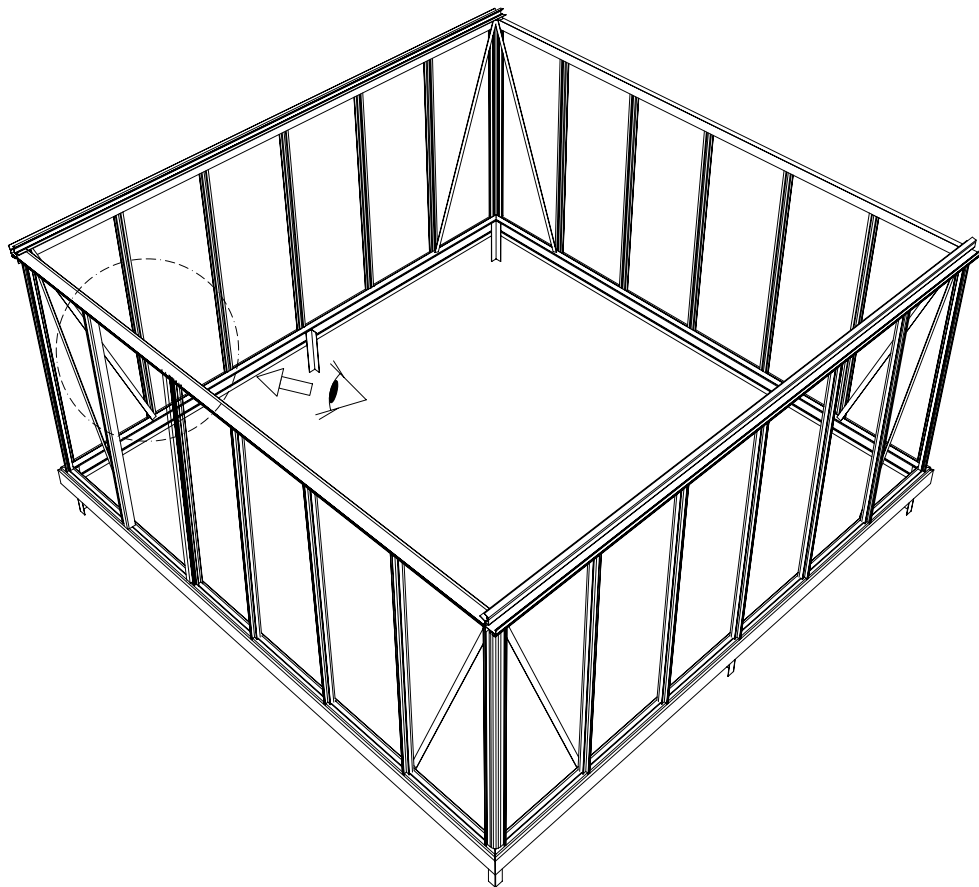


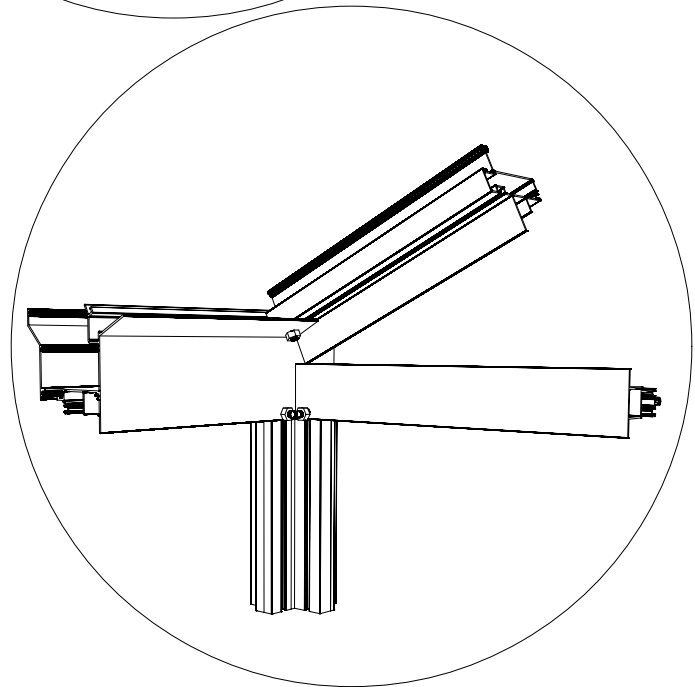
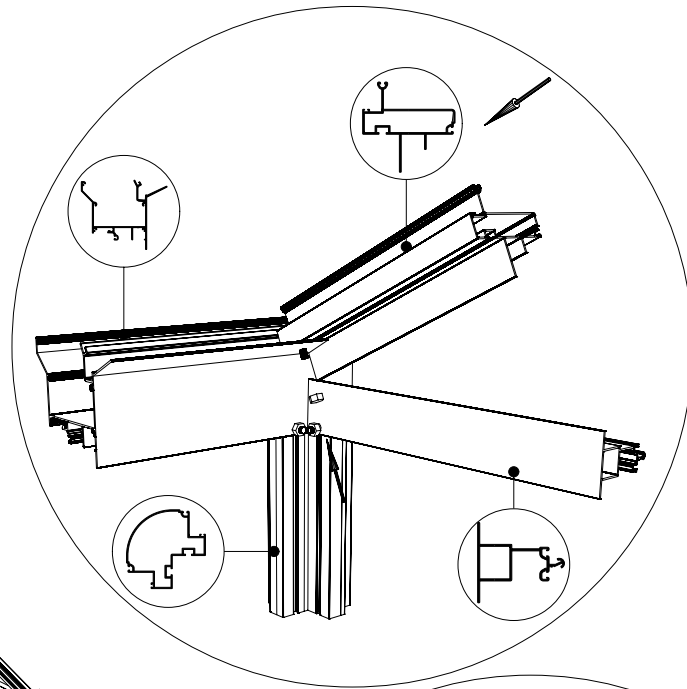
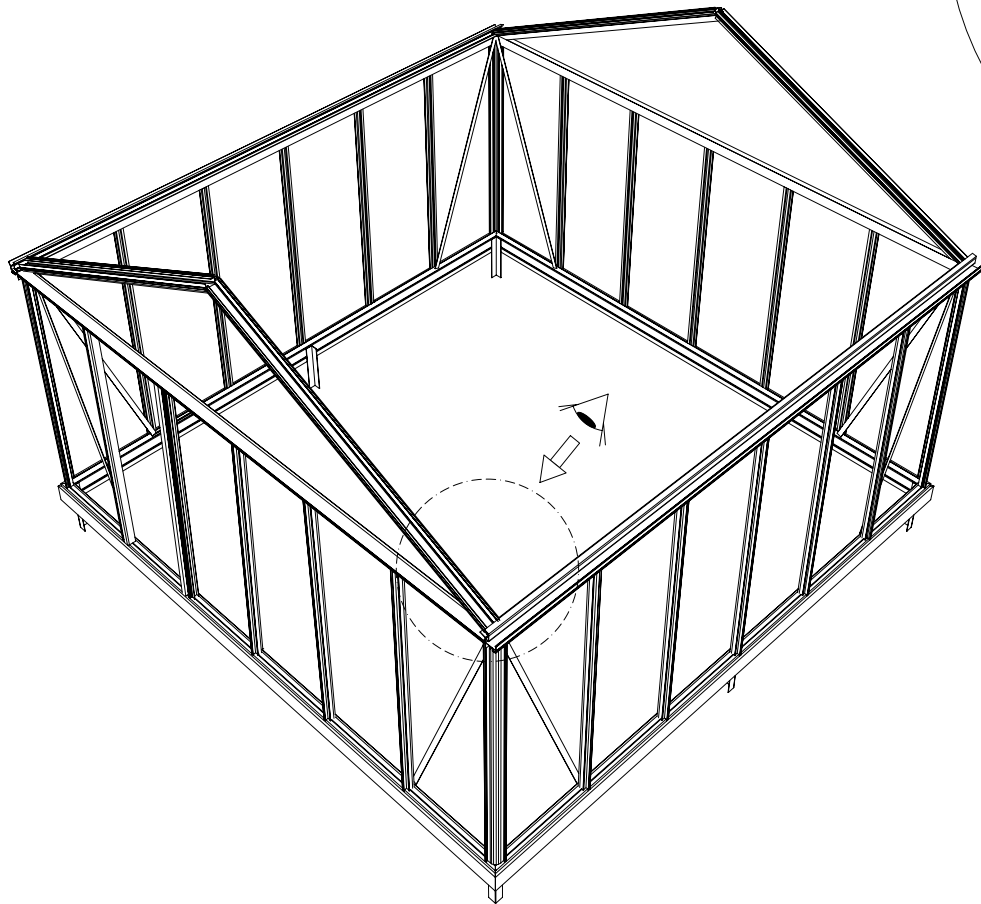




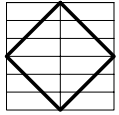




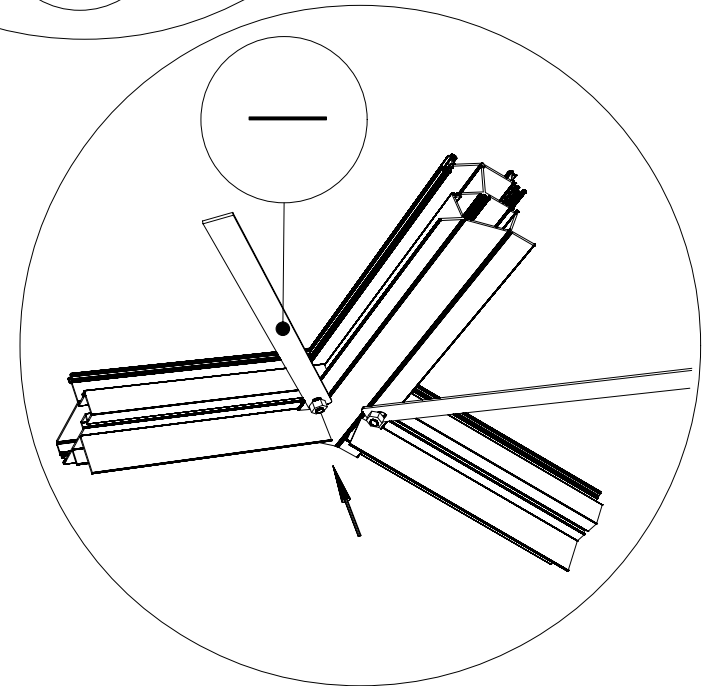
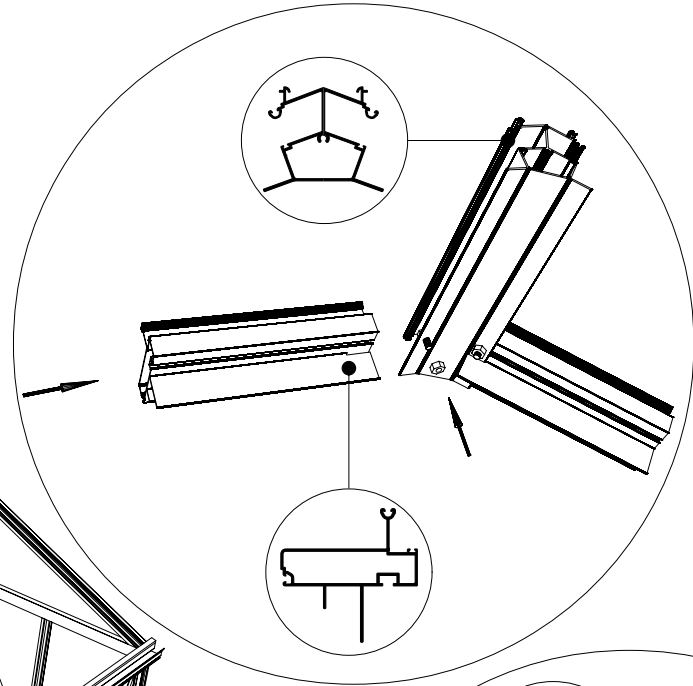
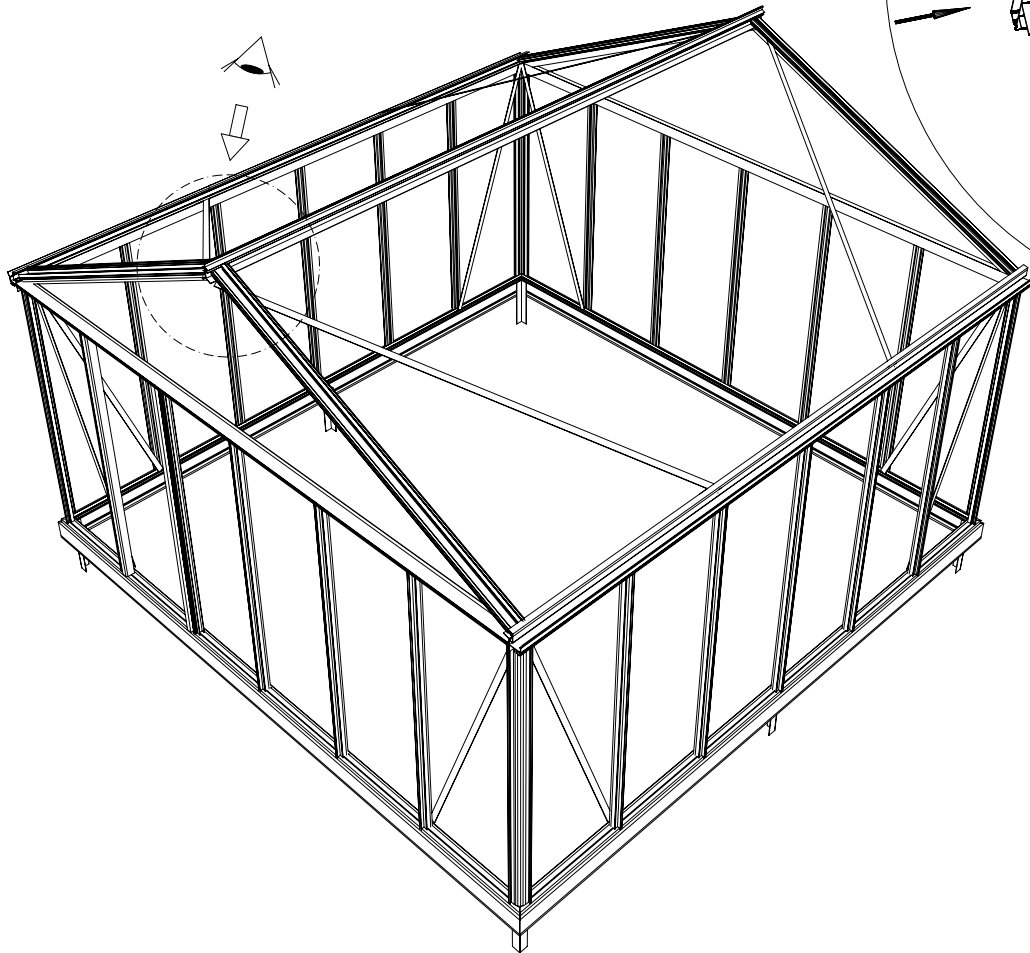
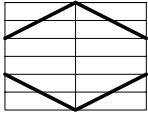


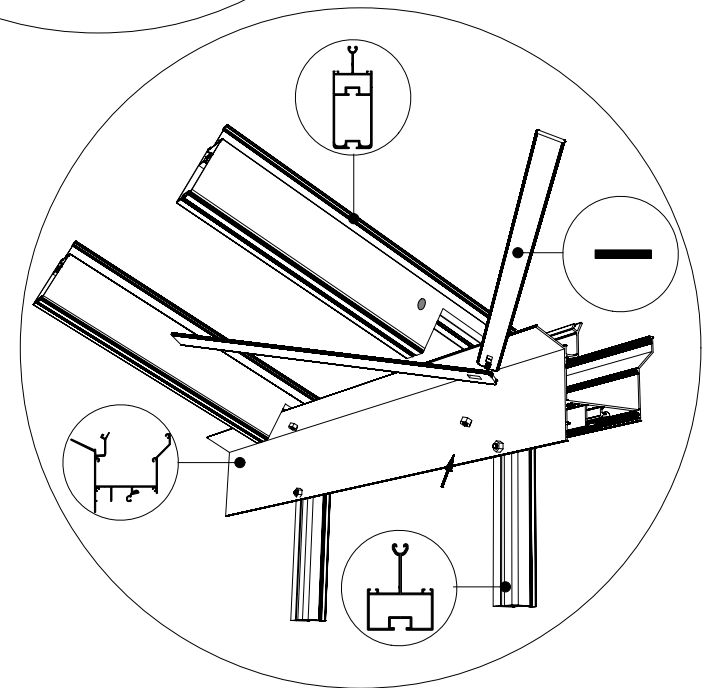
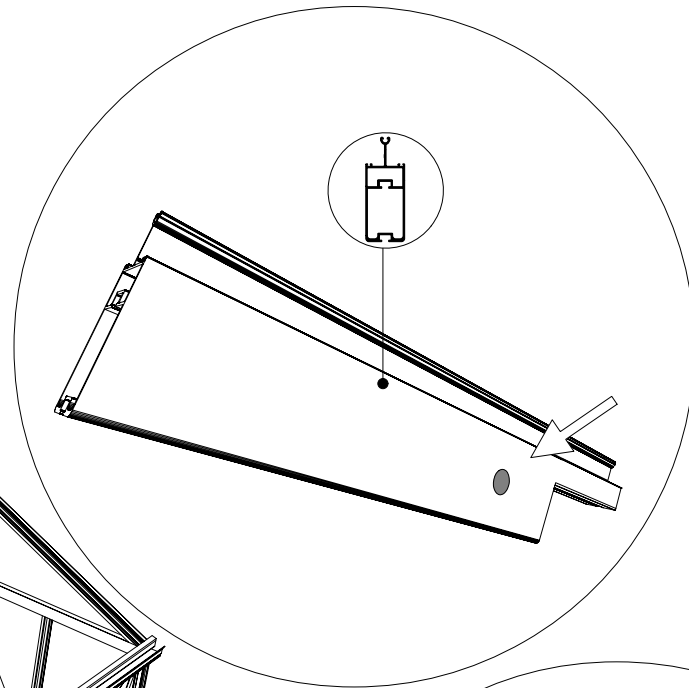
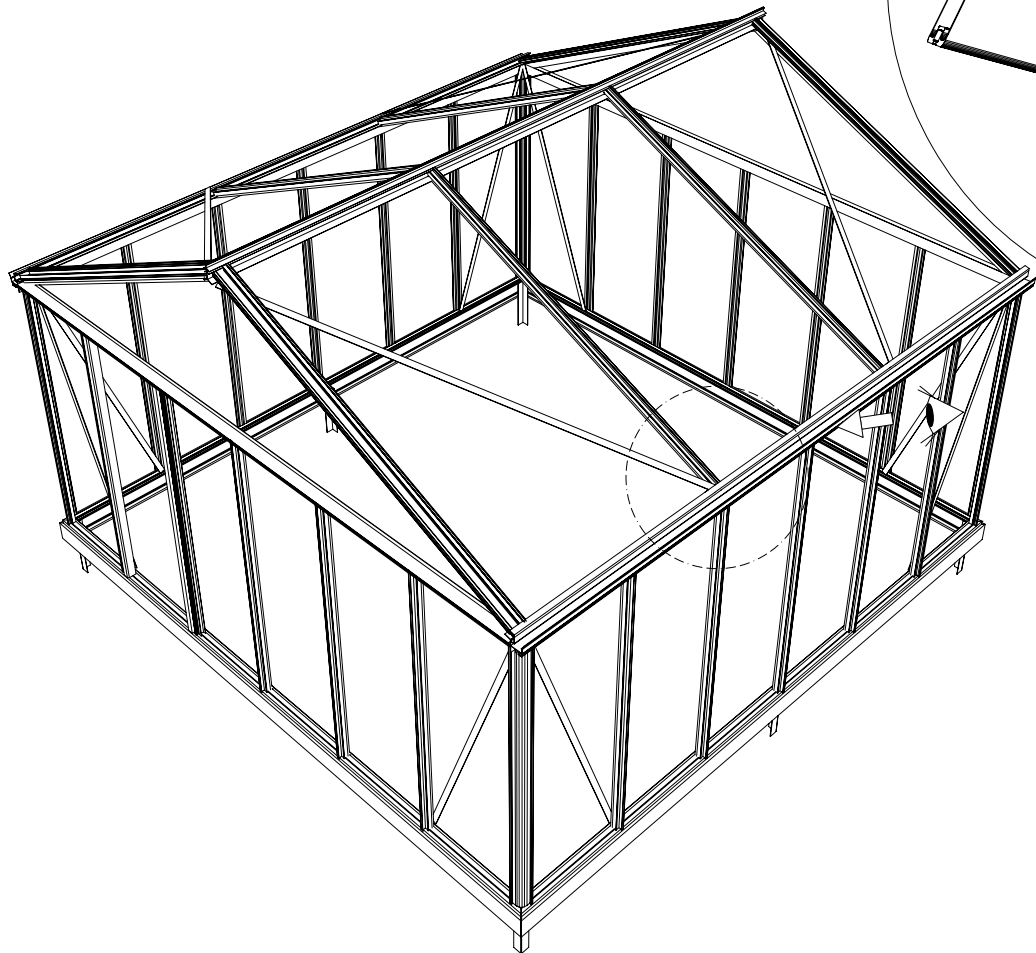


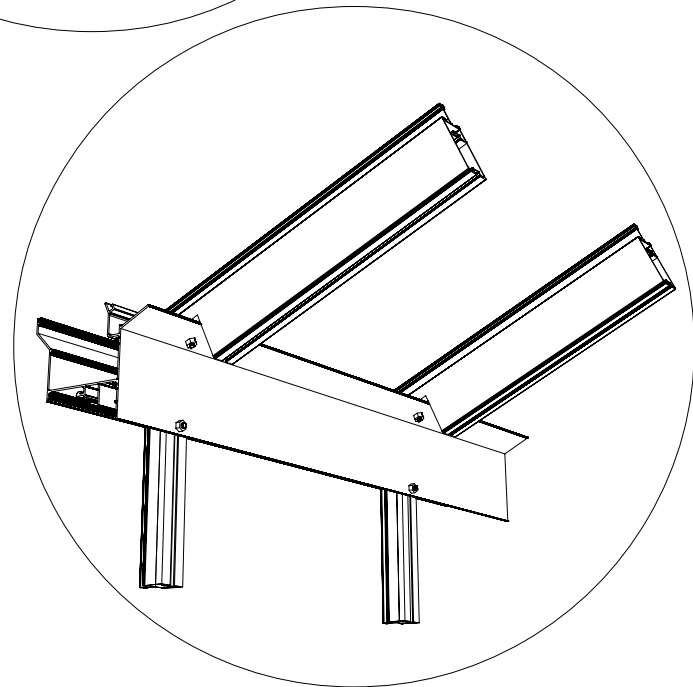
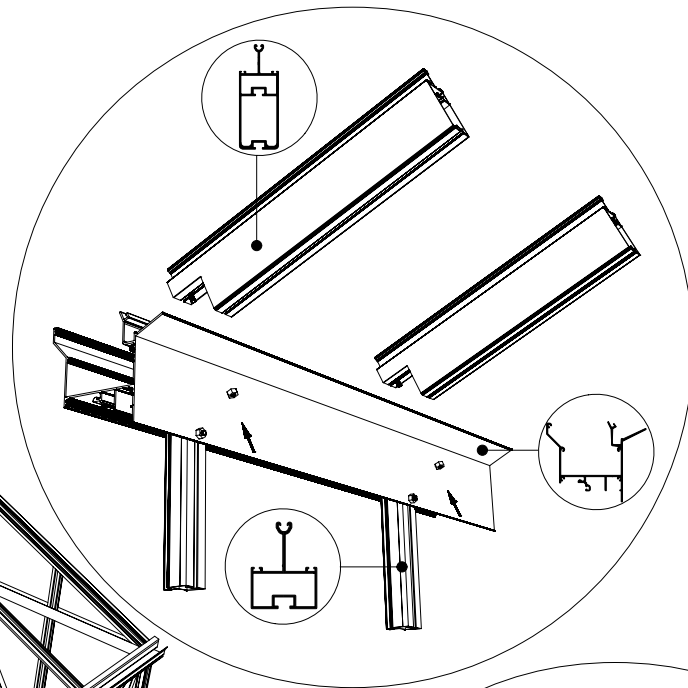
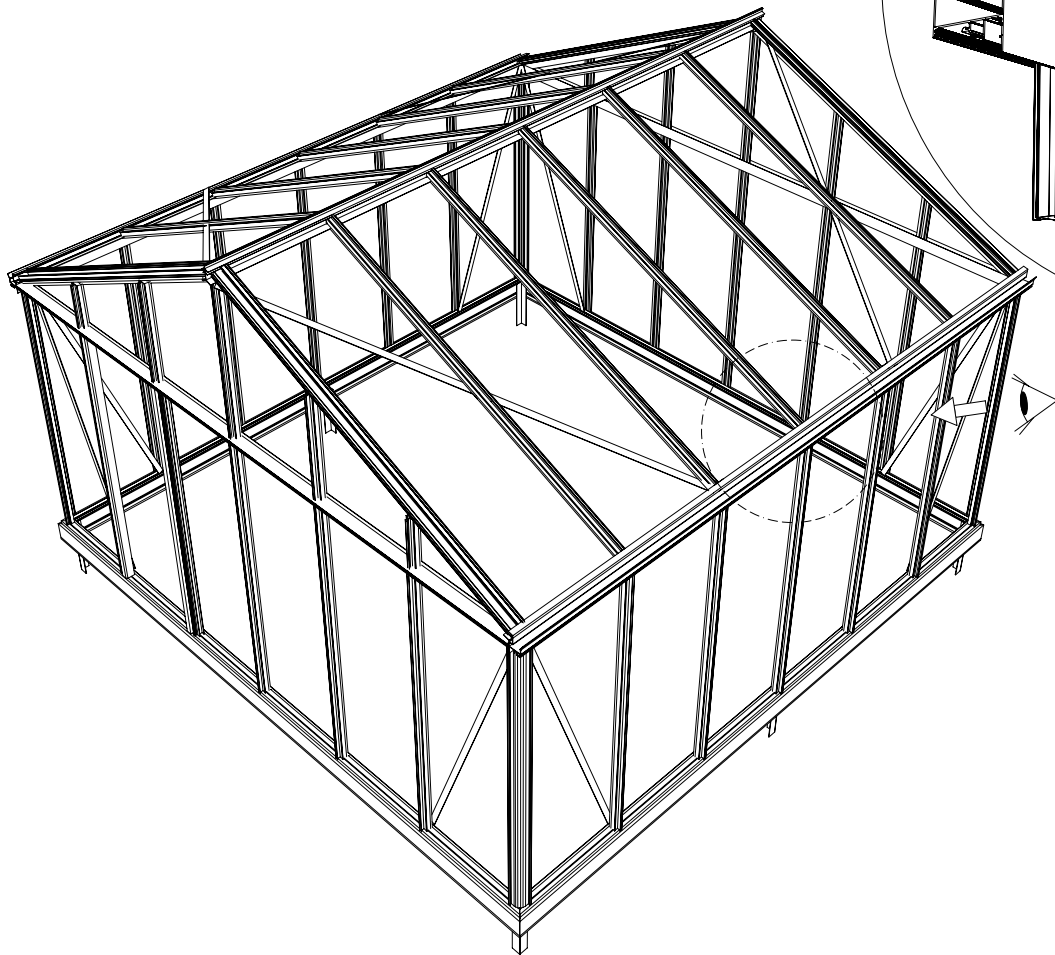
409

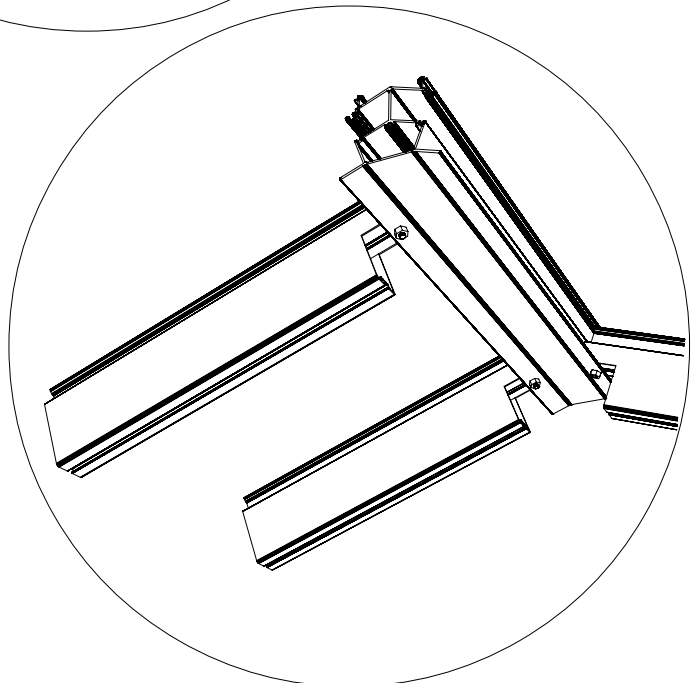
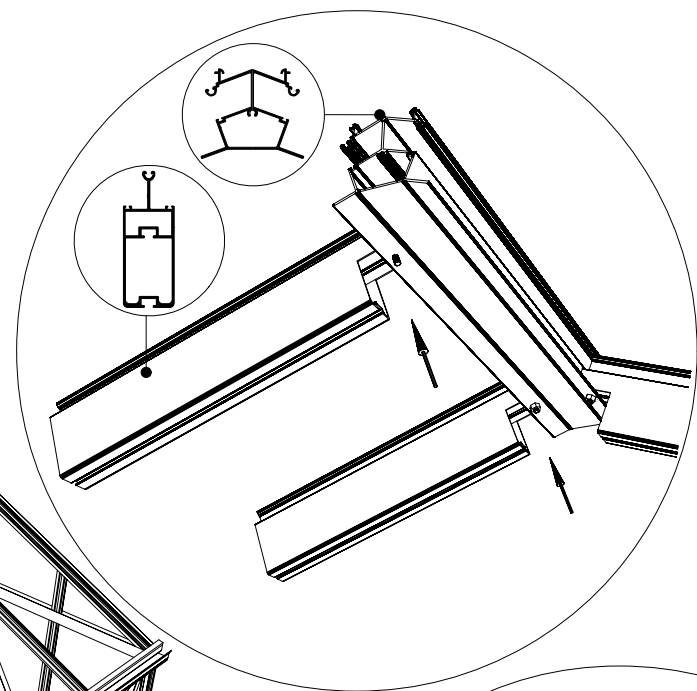
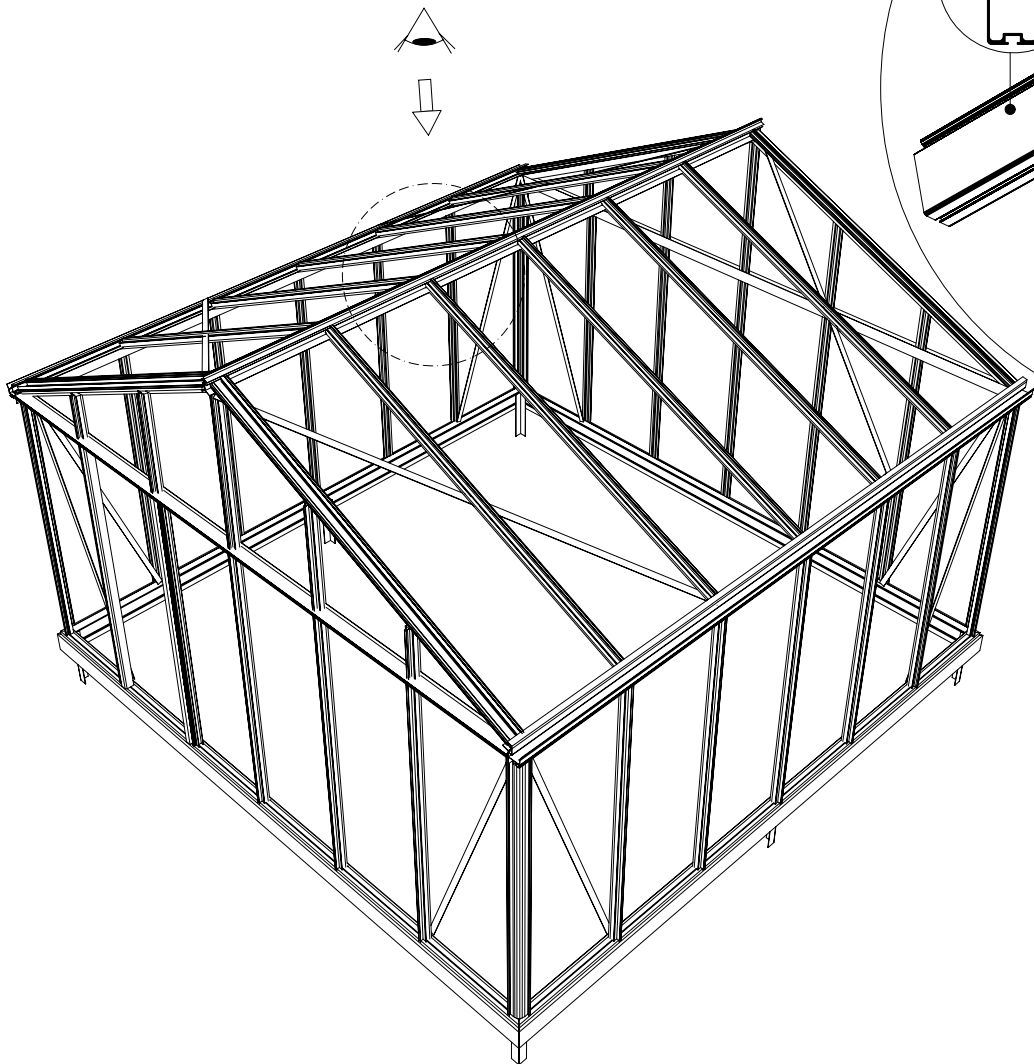


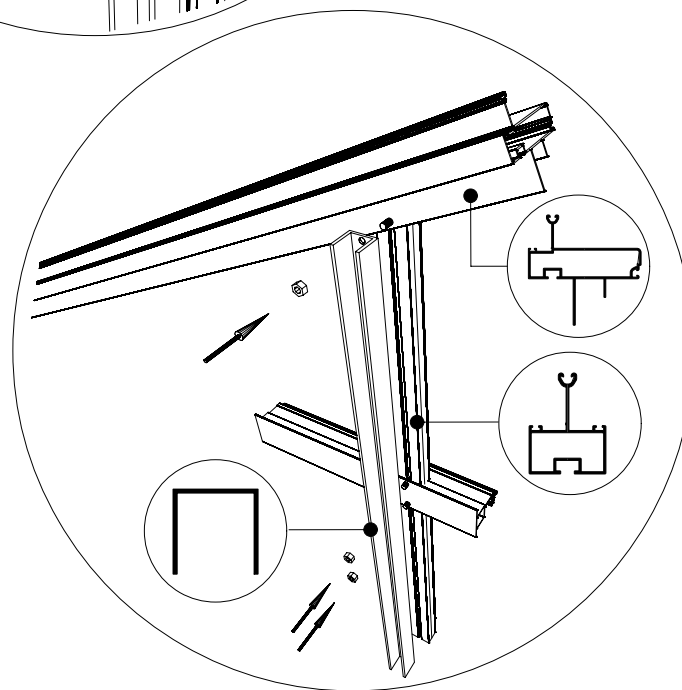
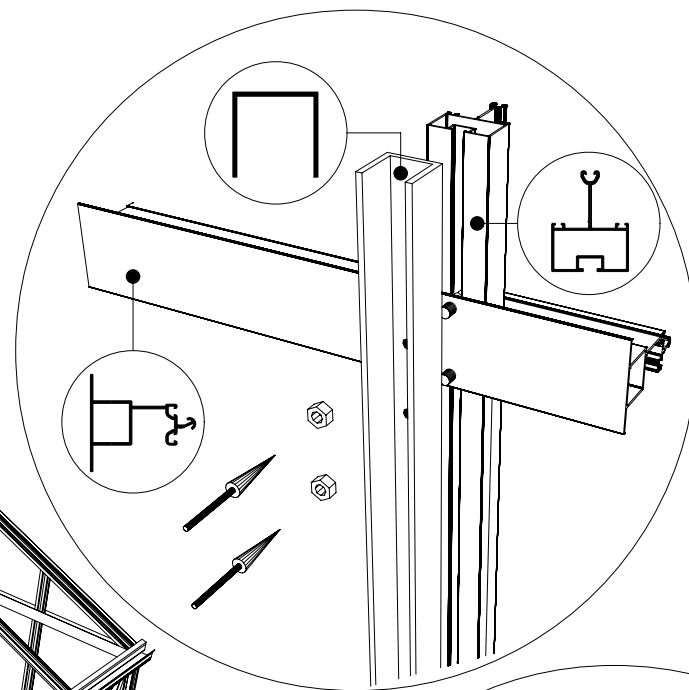
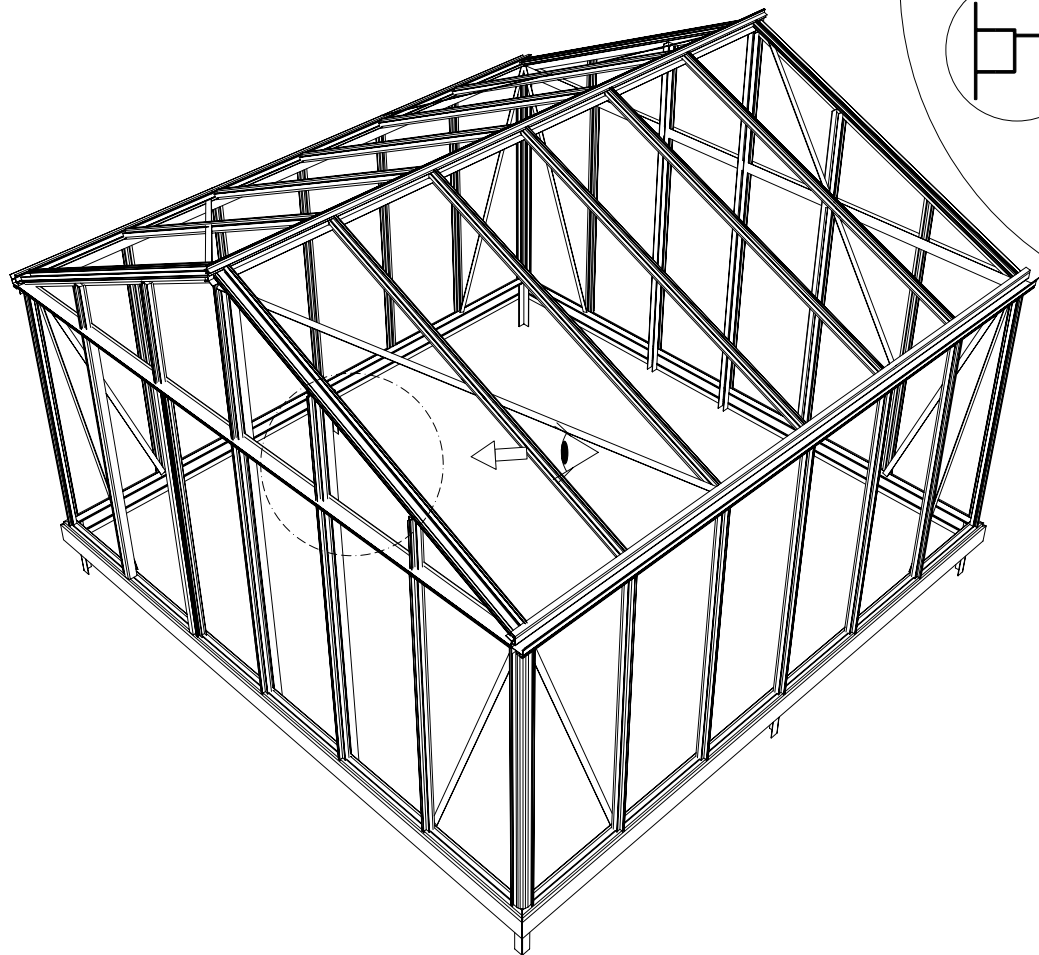
607

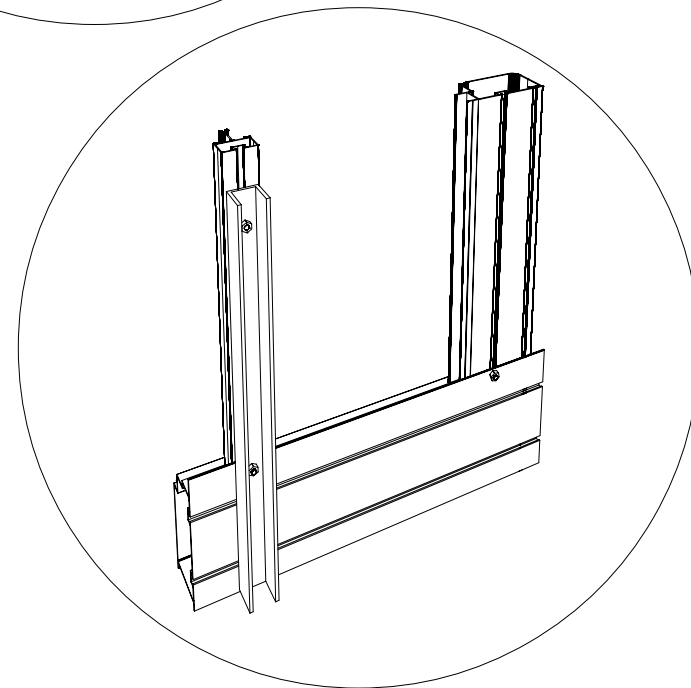
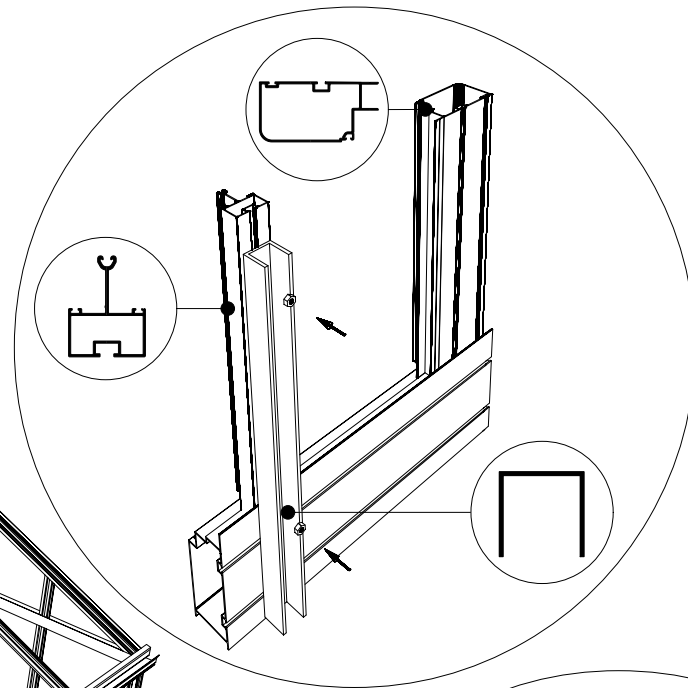
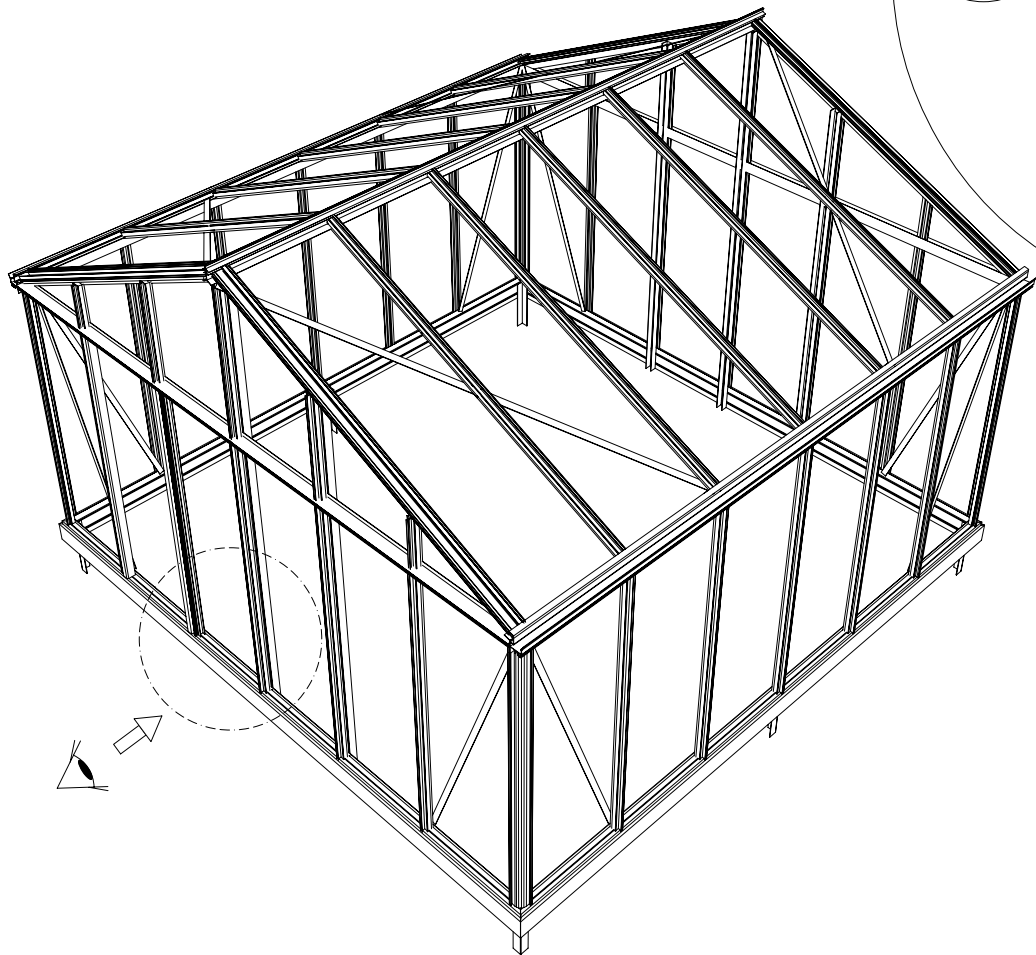


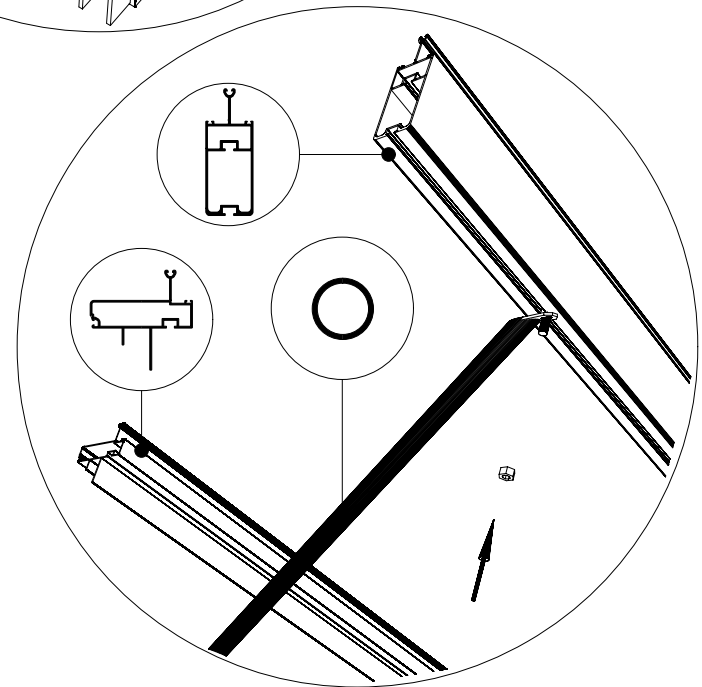
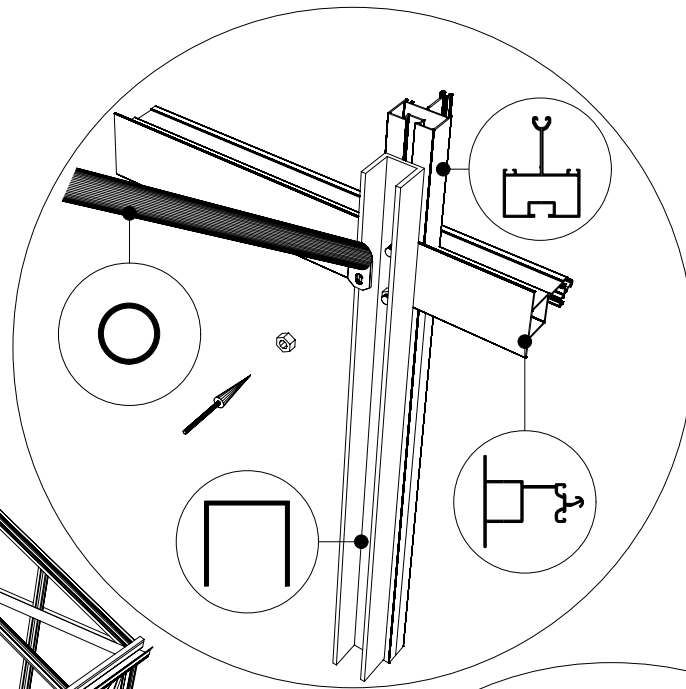
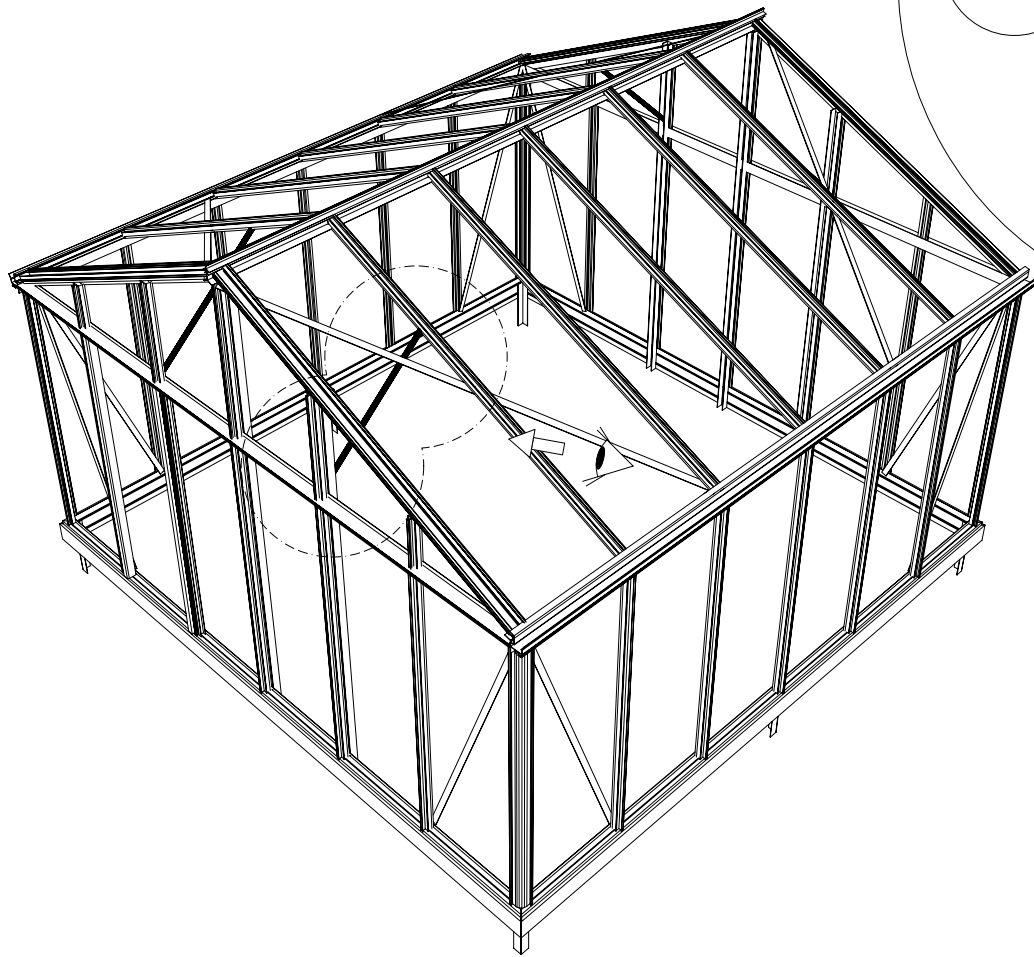


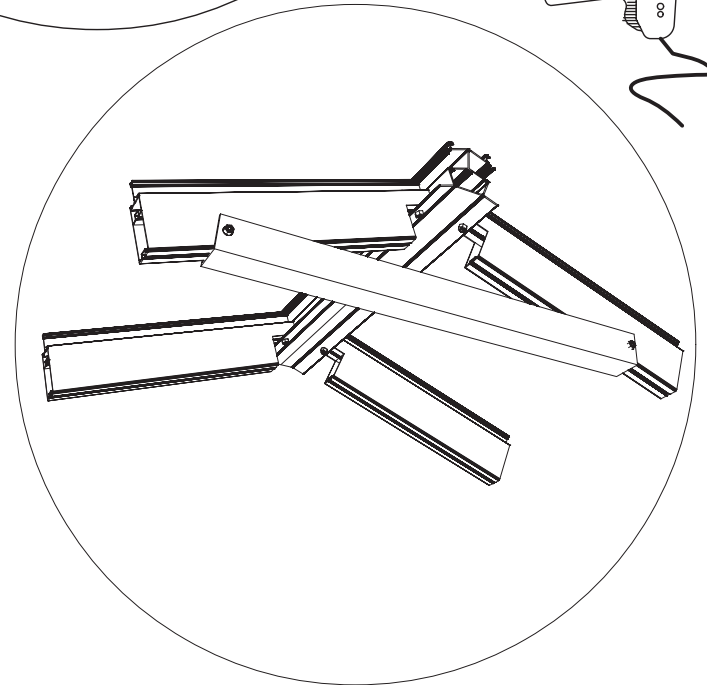
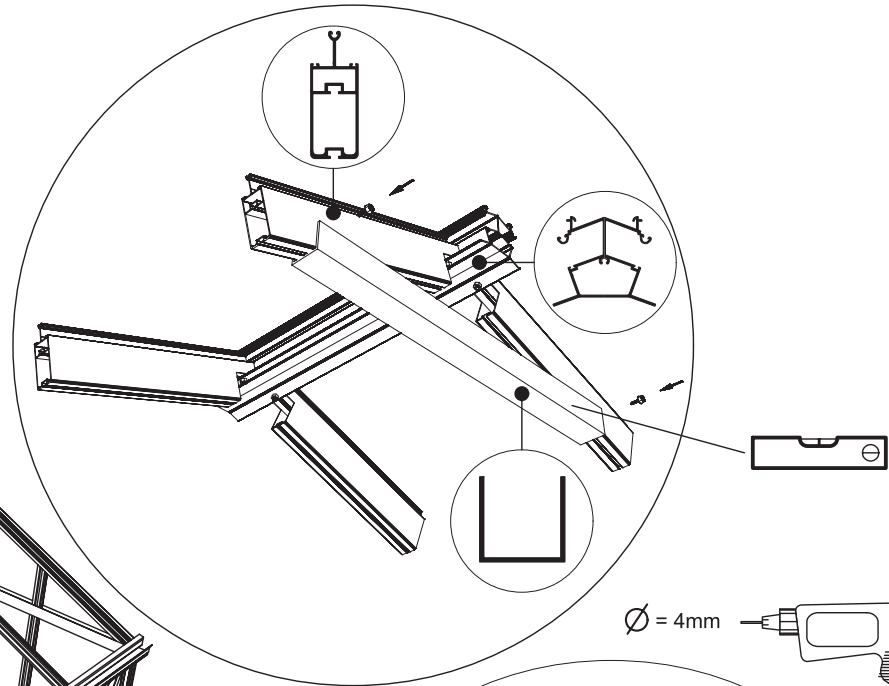
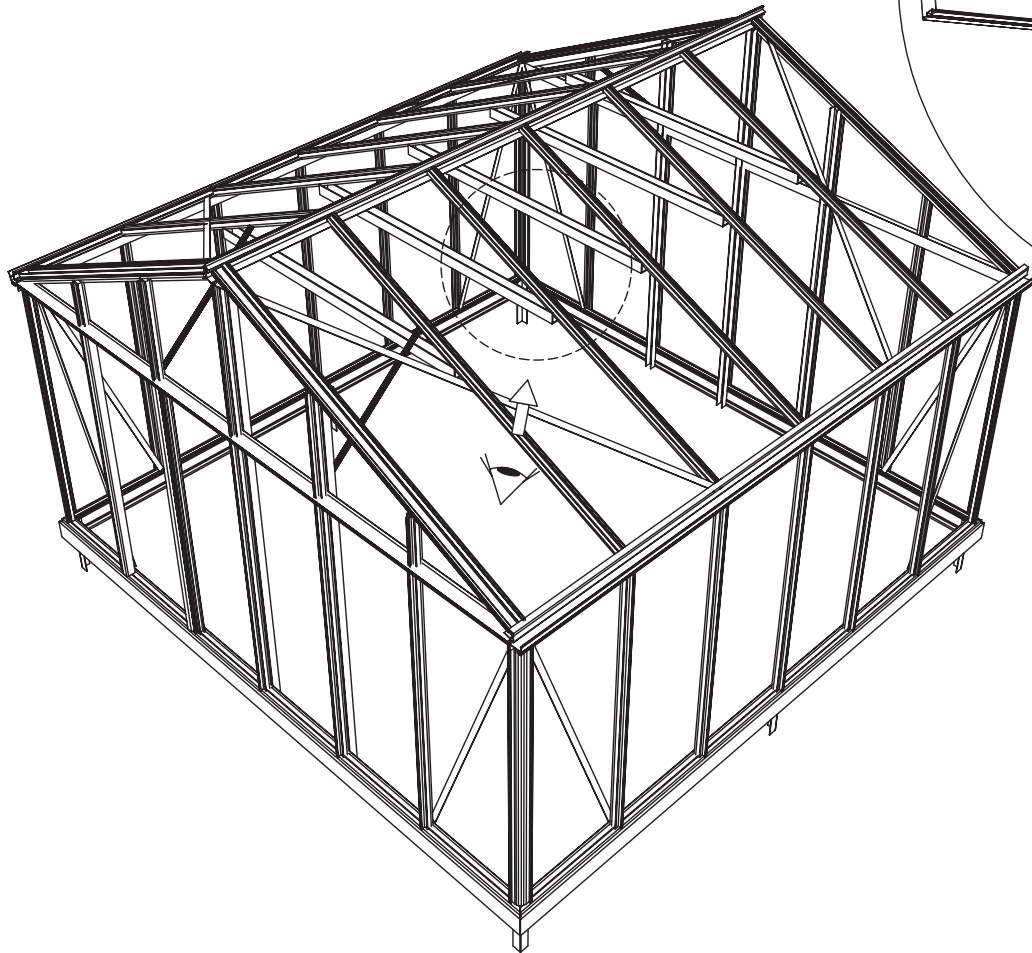


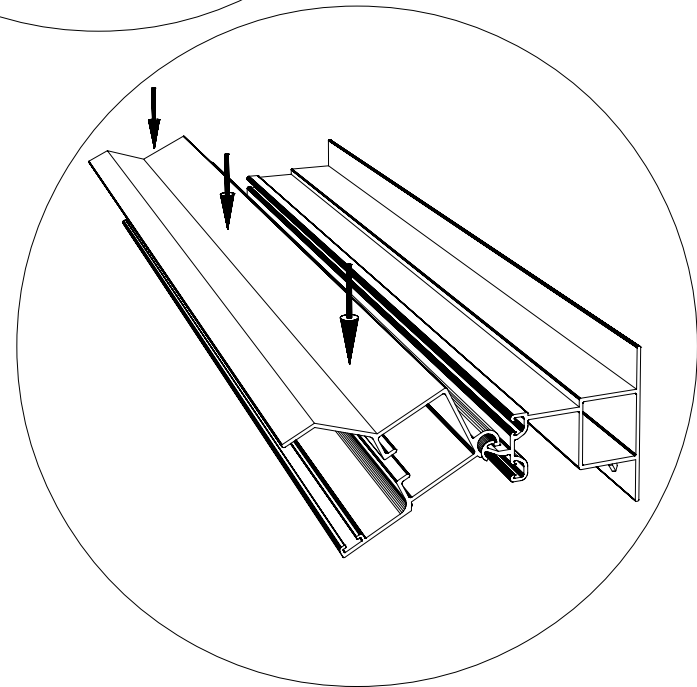
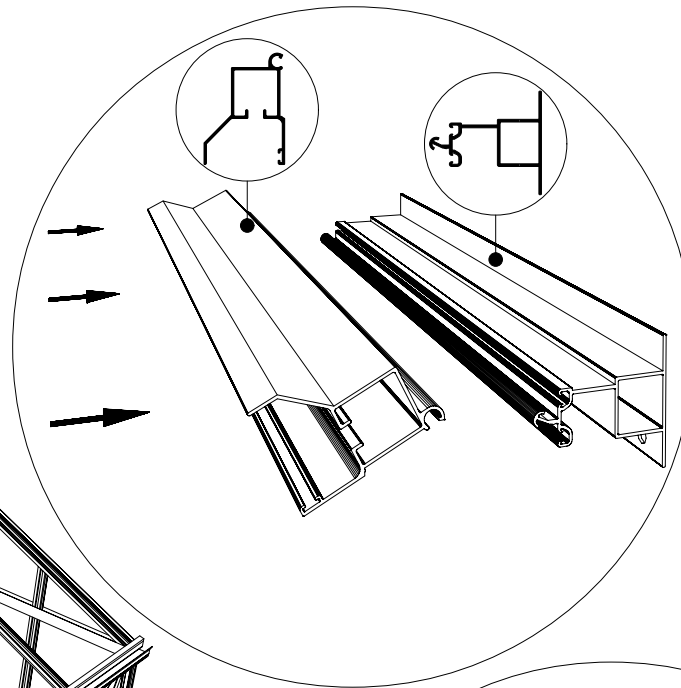
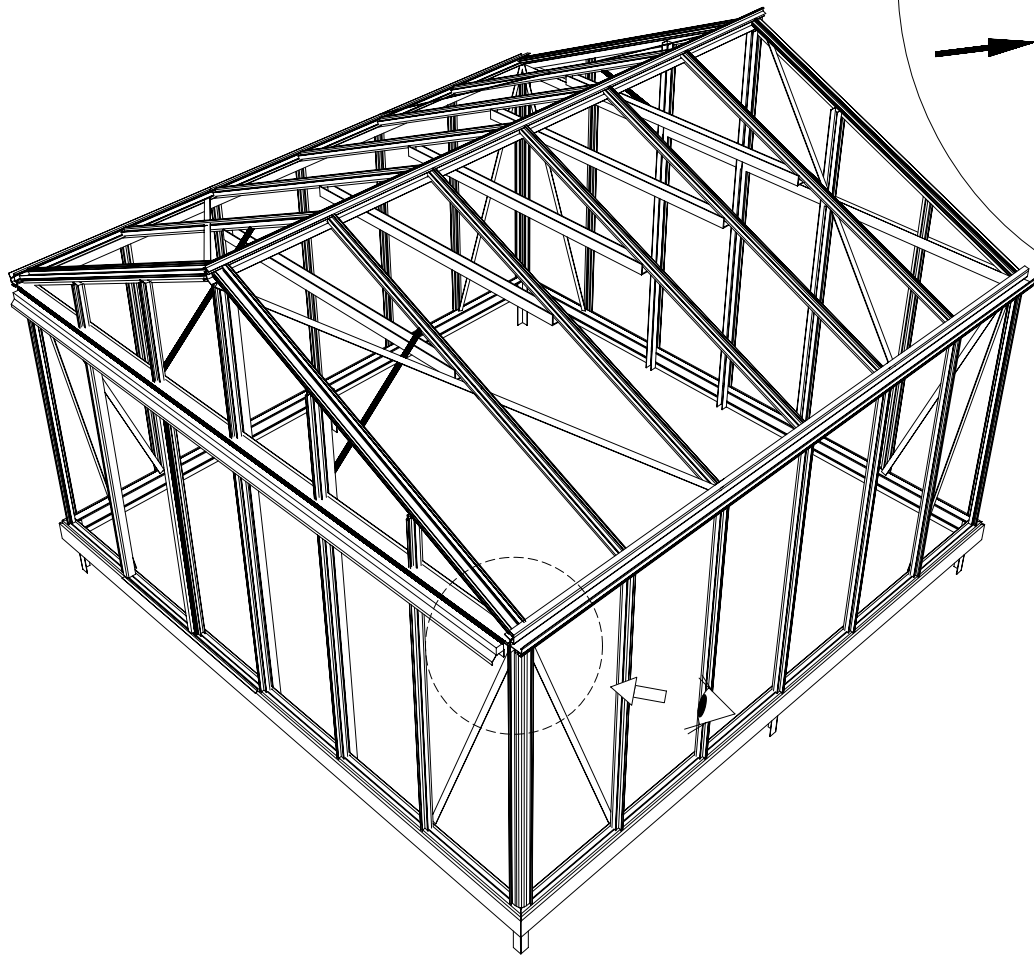


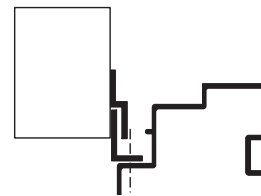
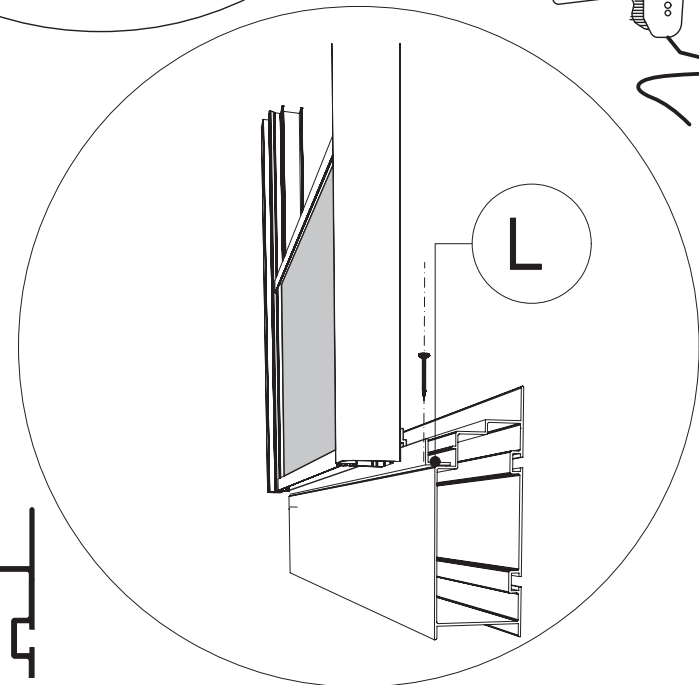
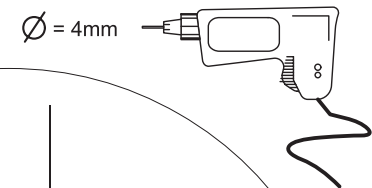
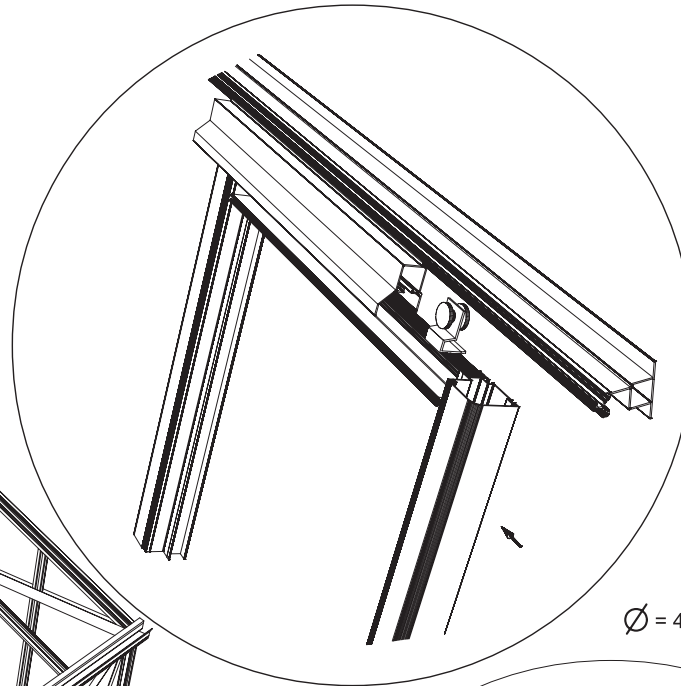
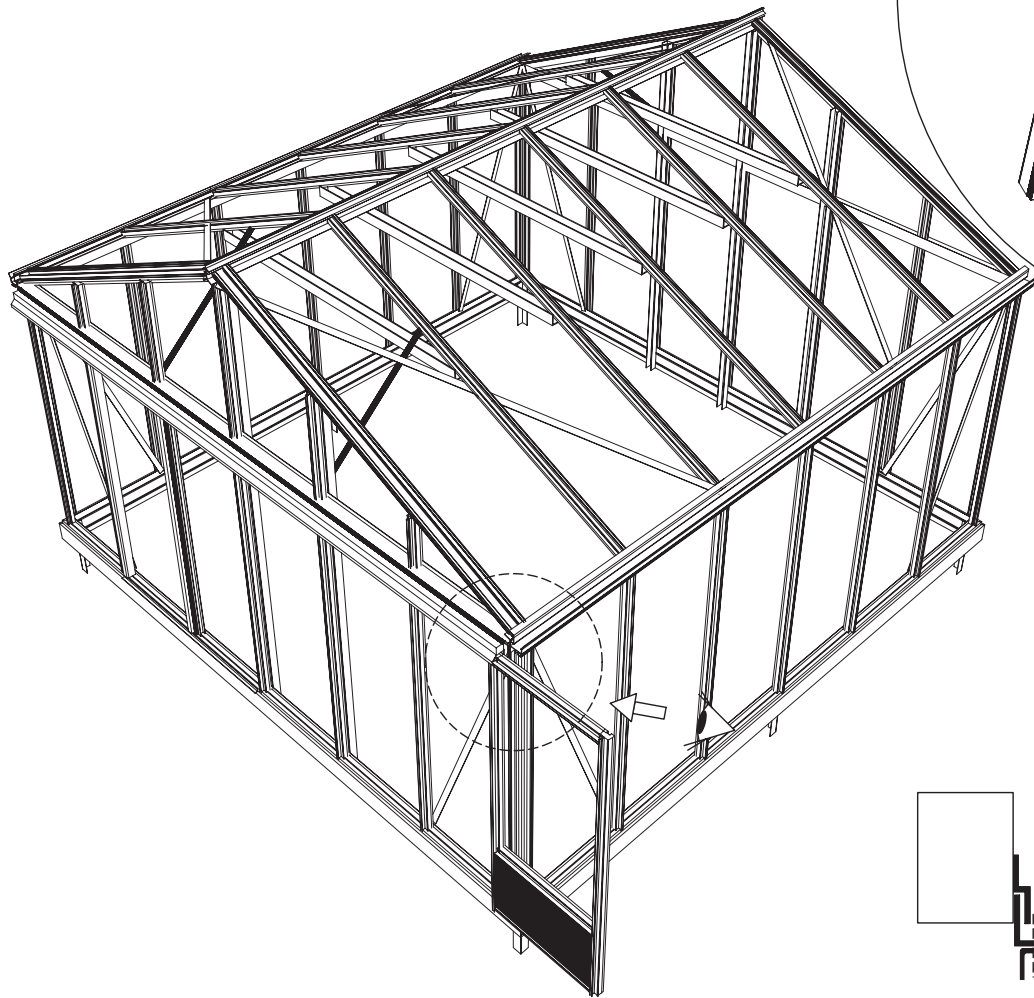


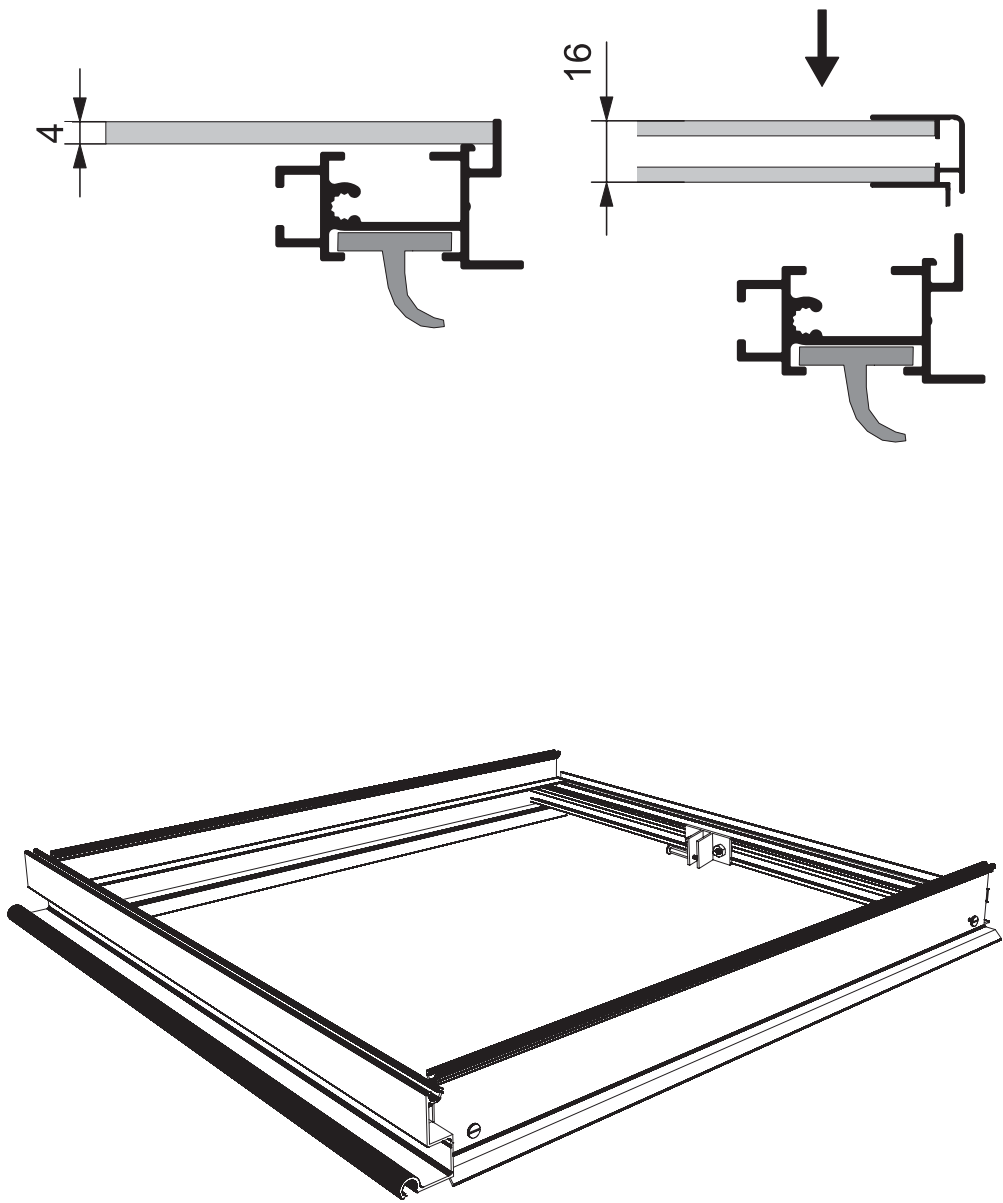
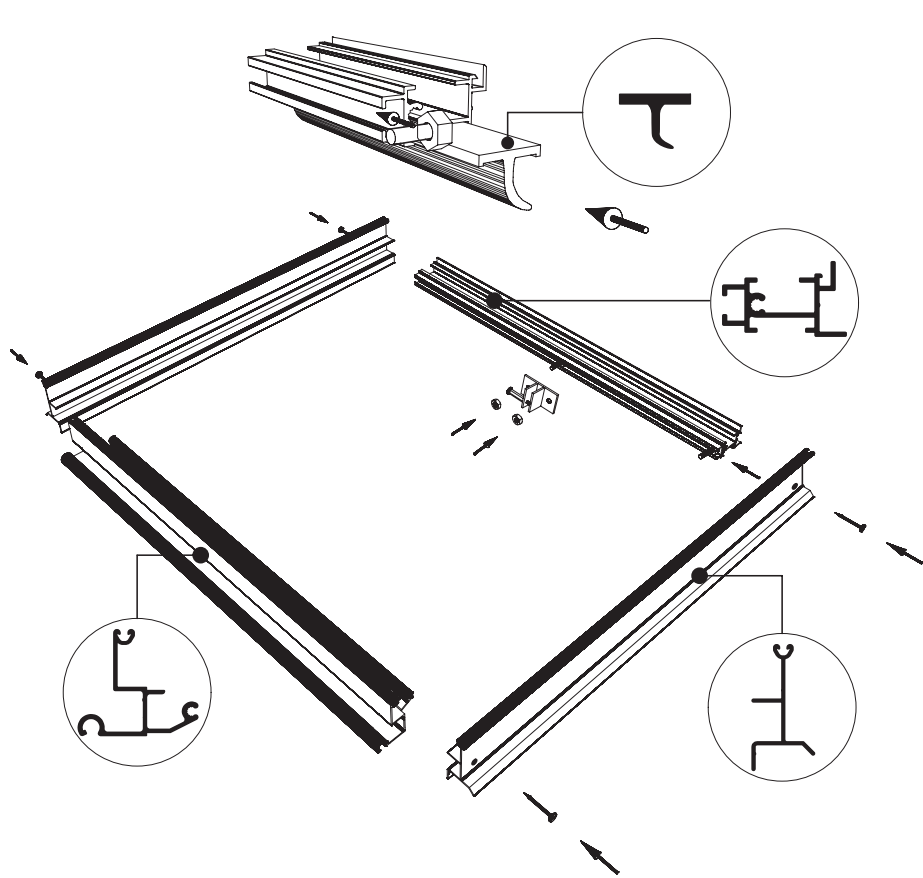


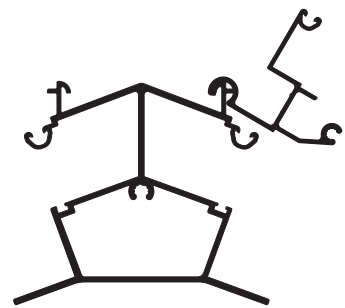
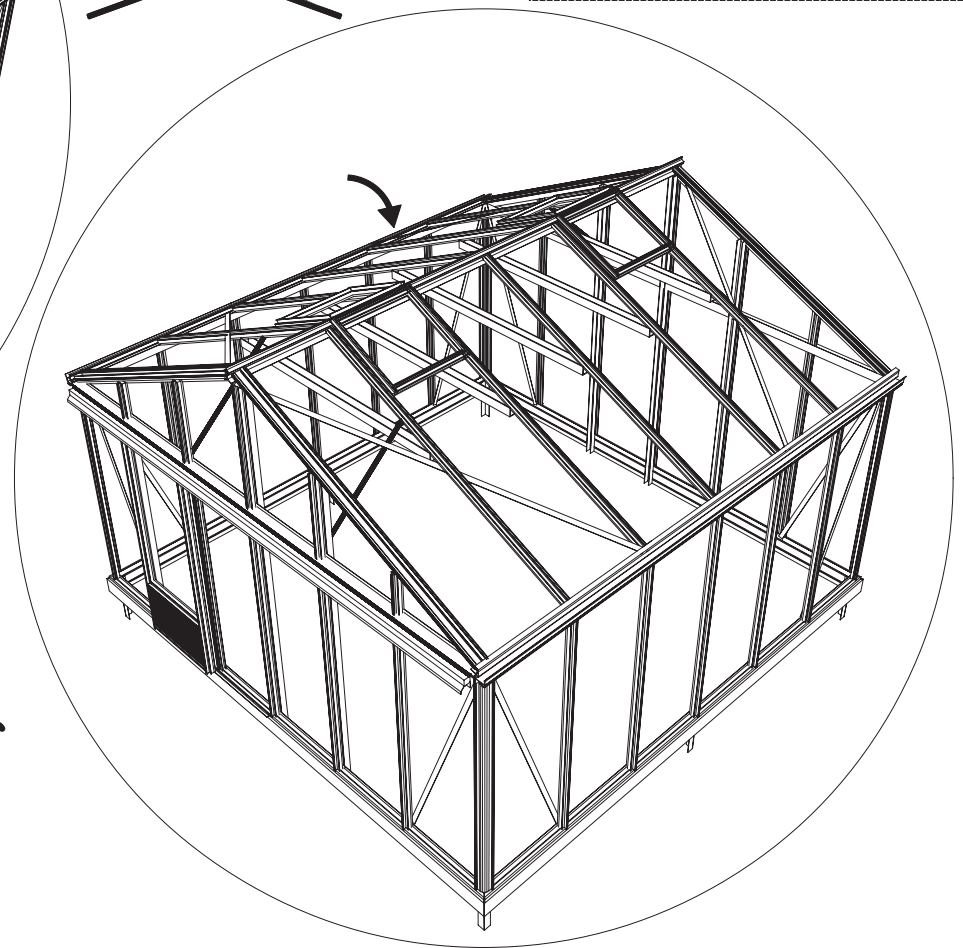
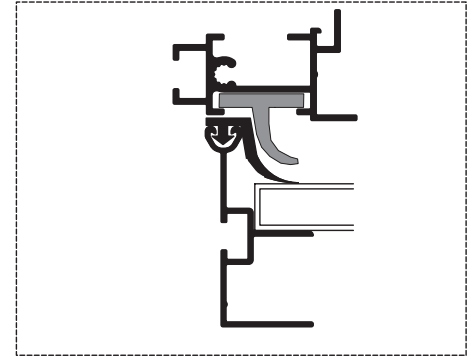
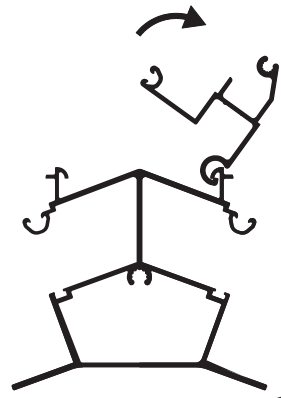
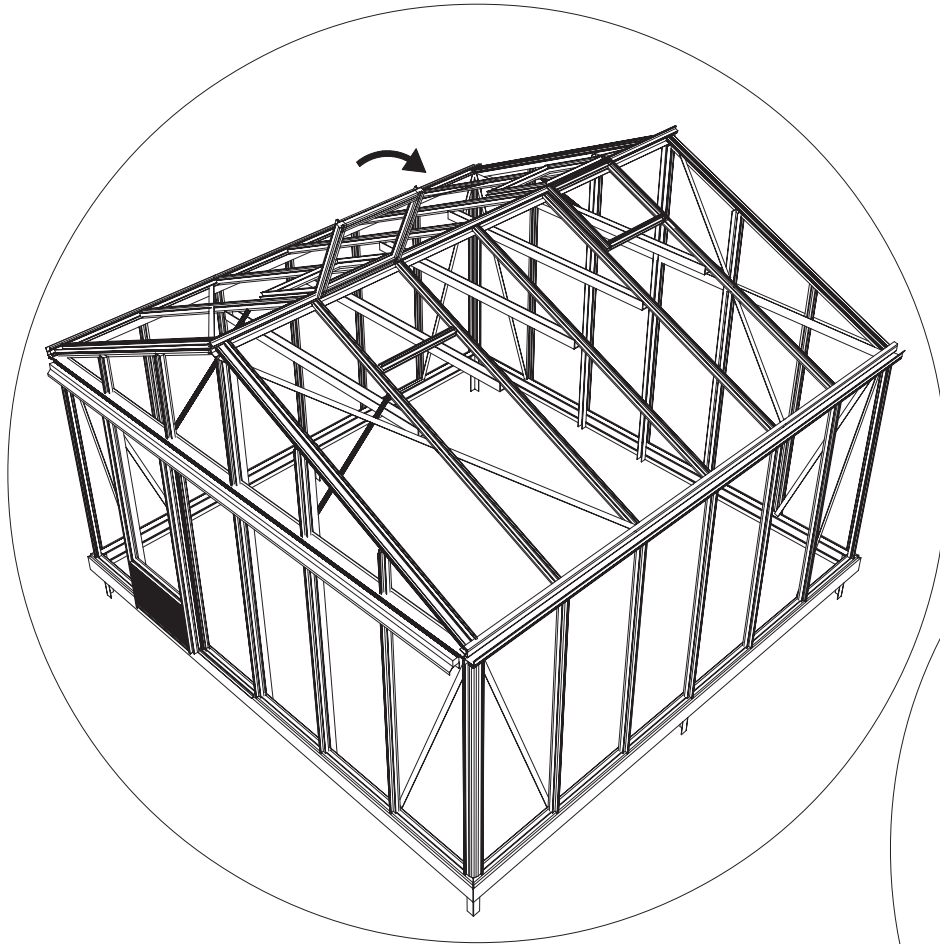


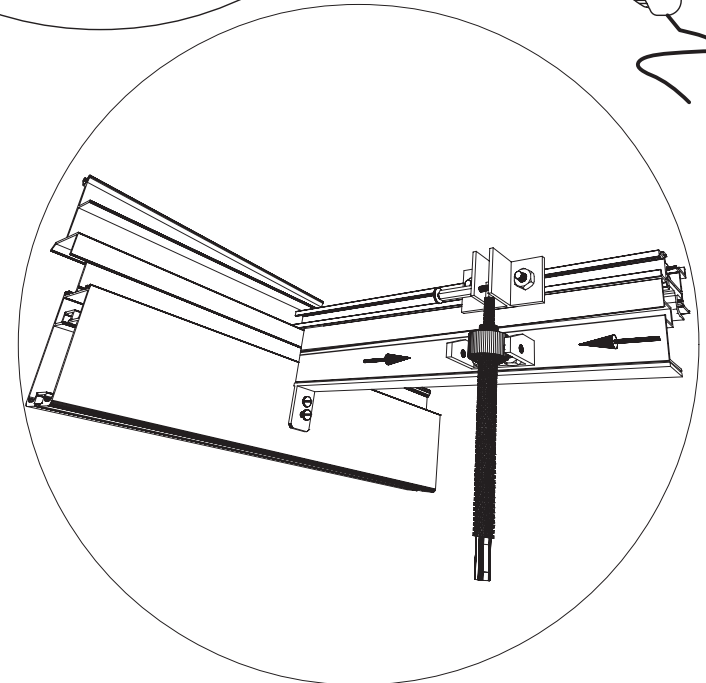
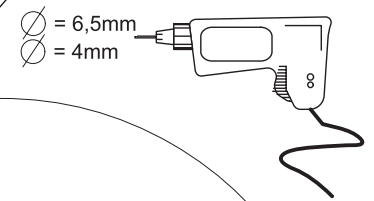
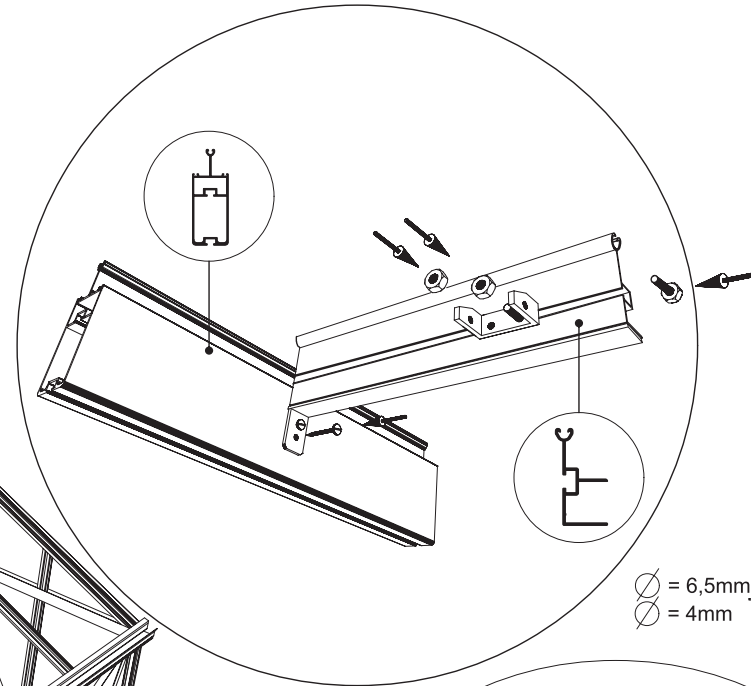
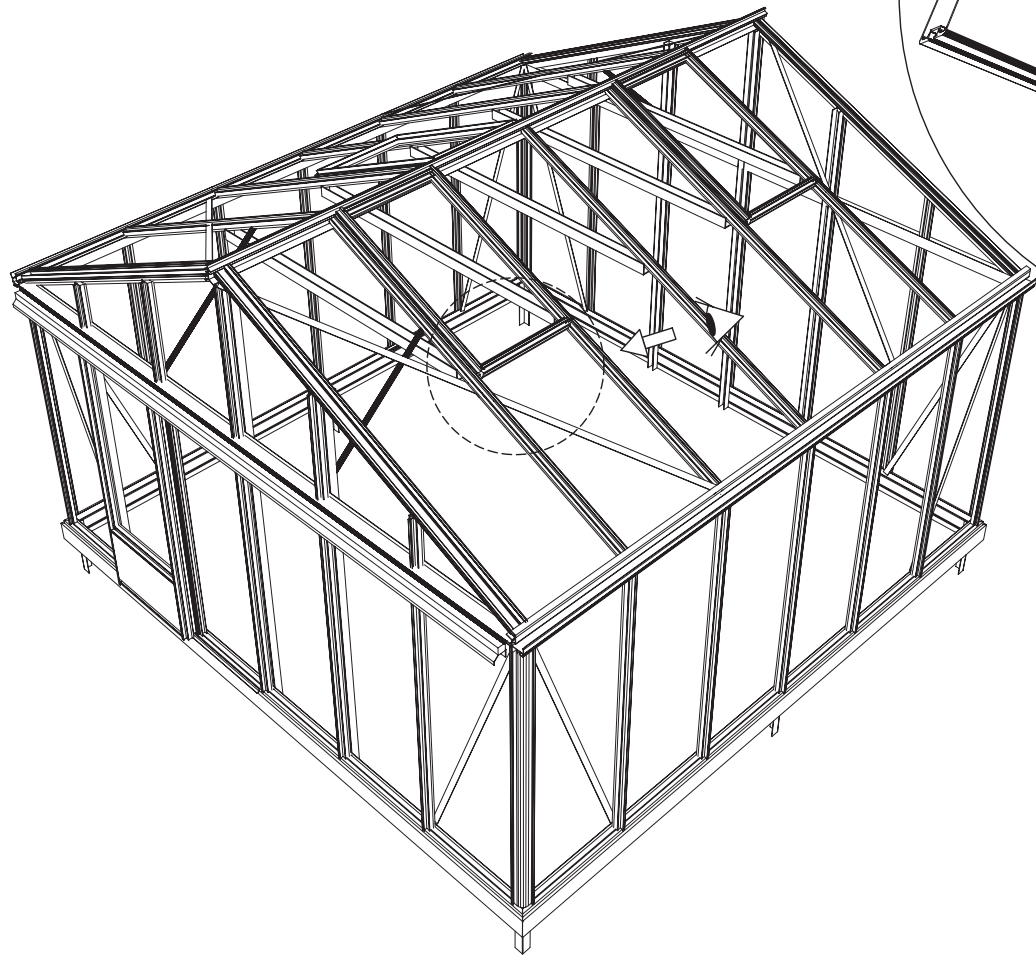


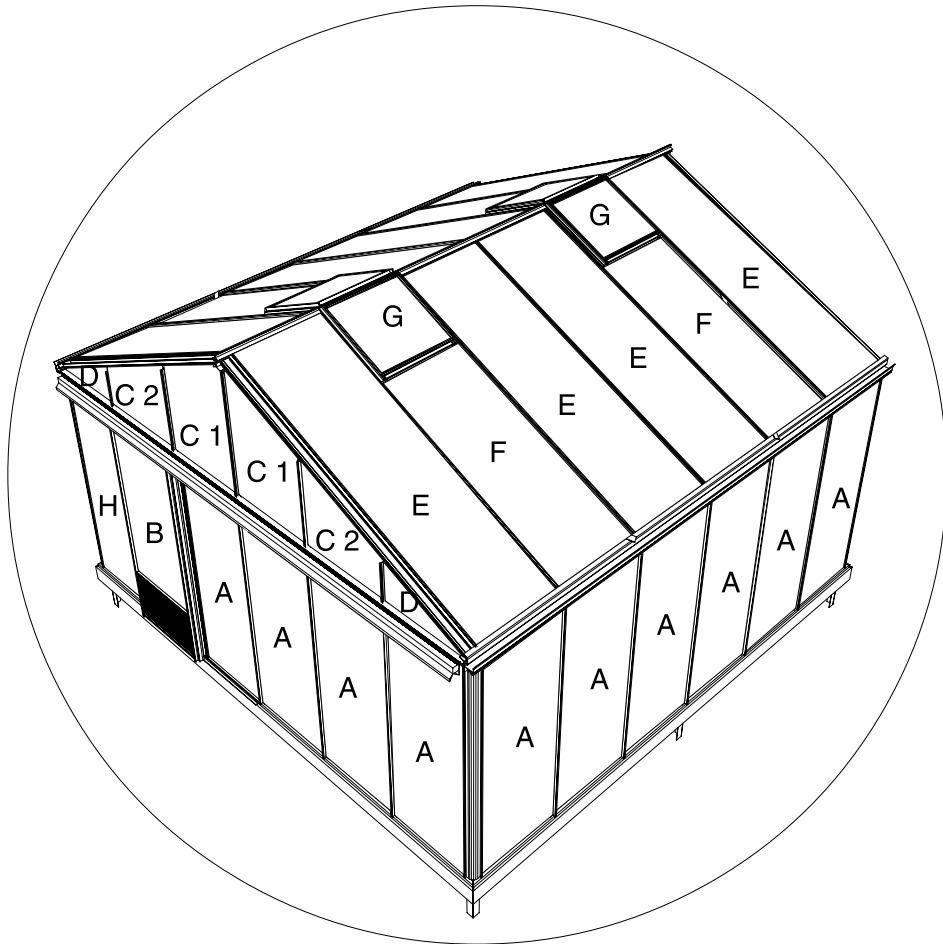




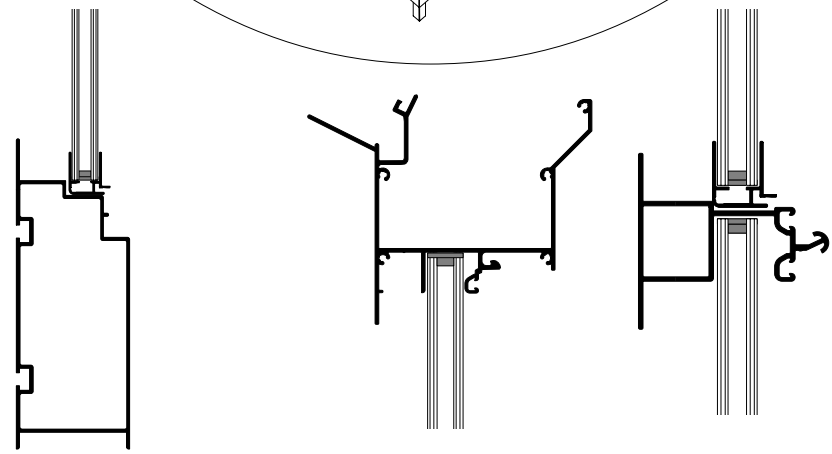
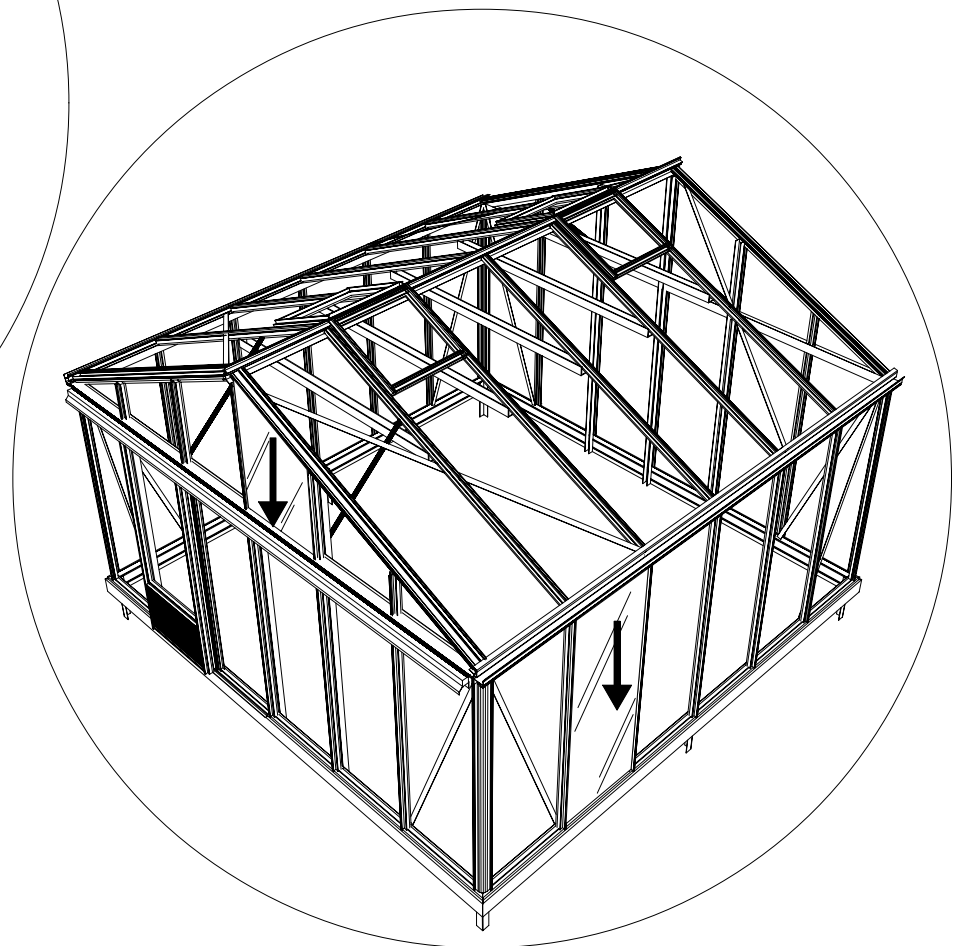
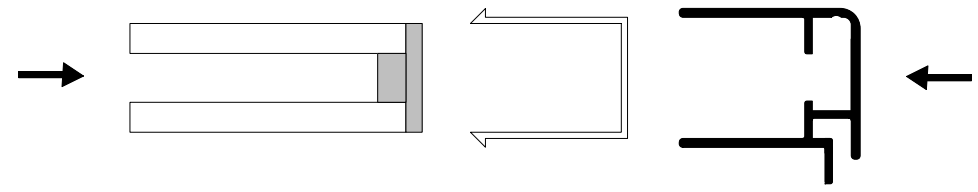
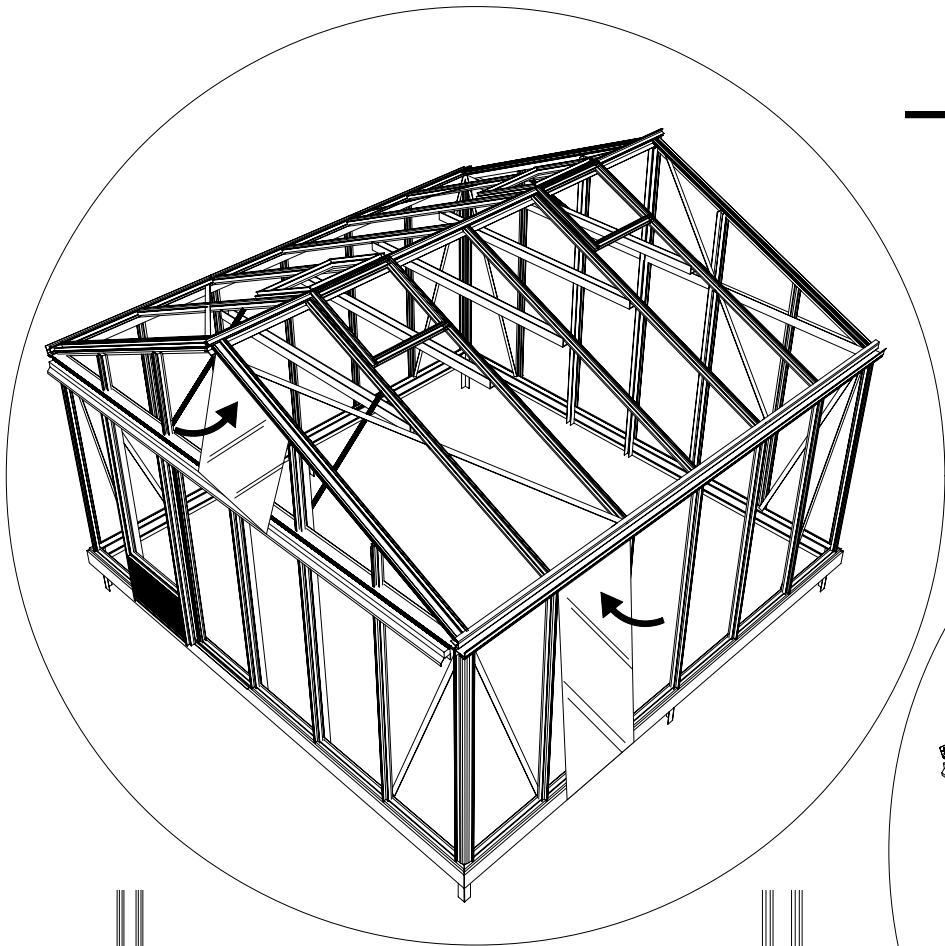


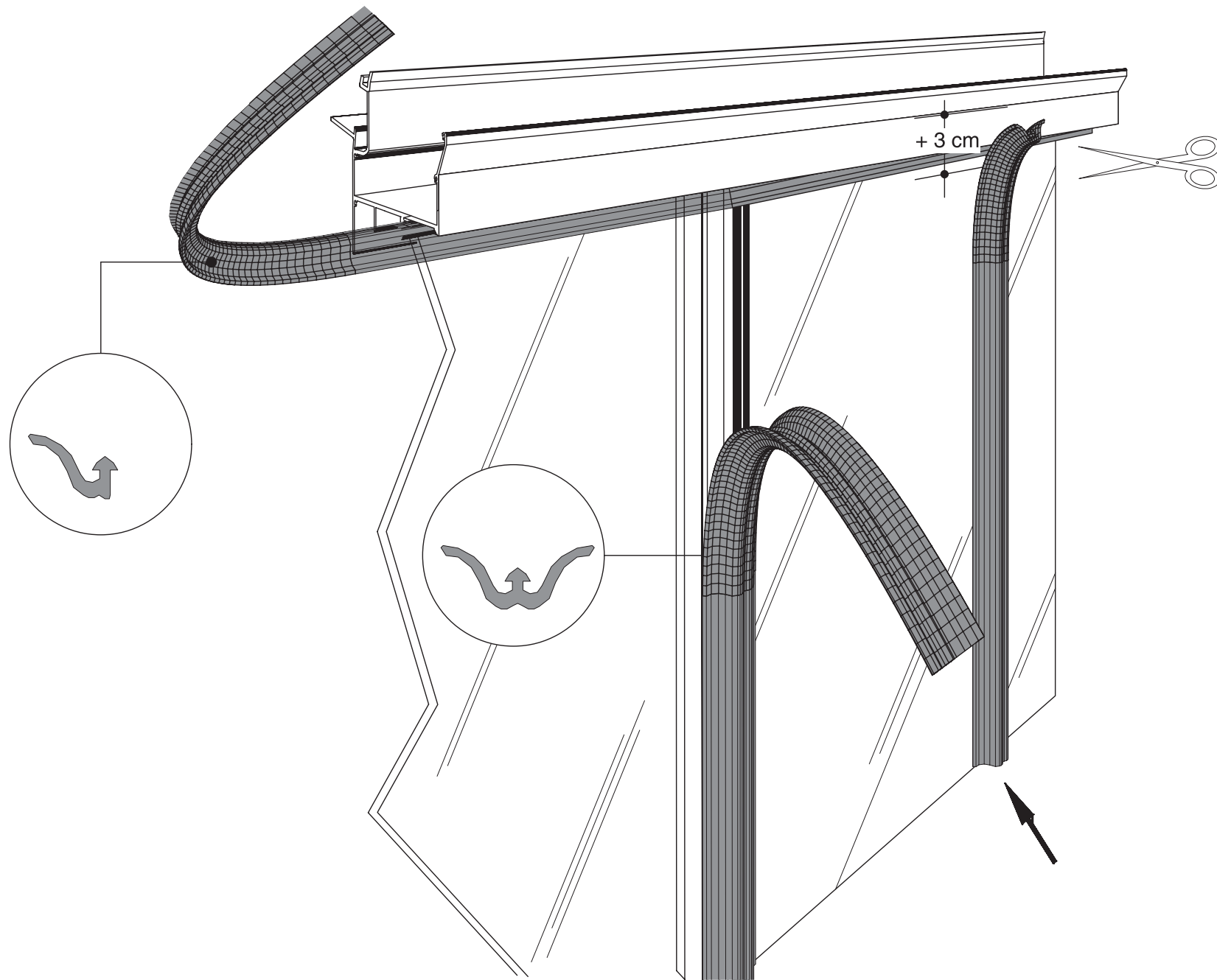


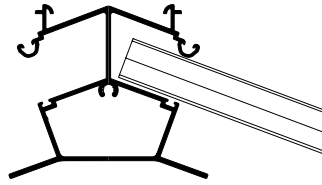
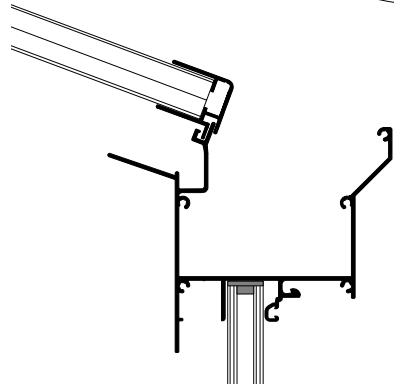
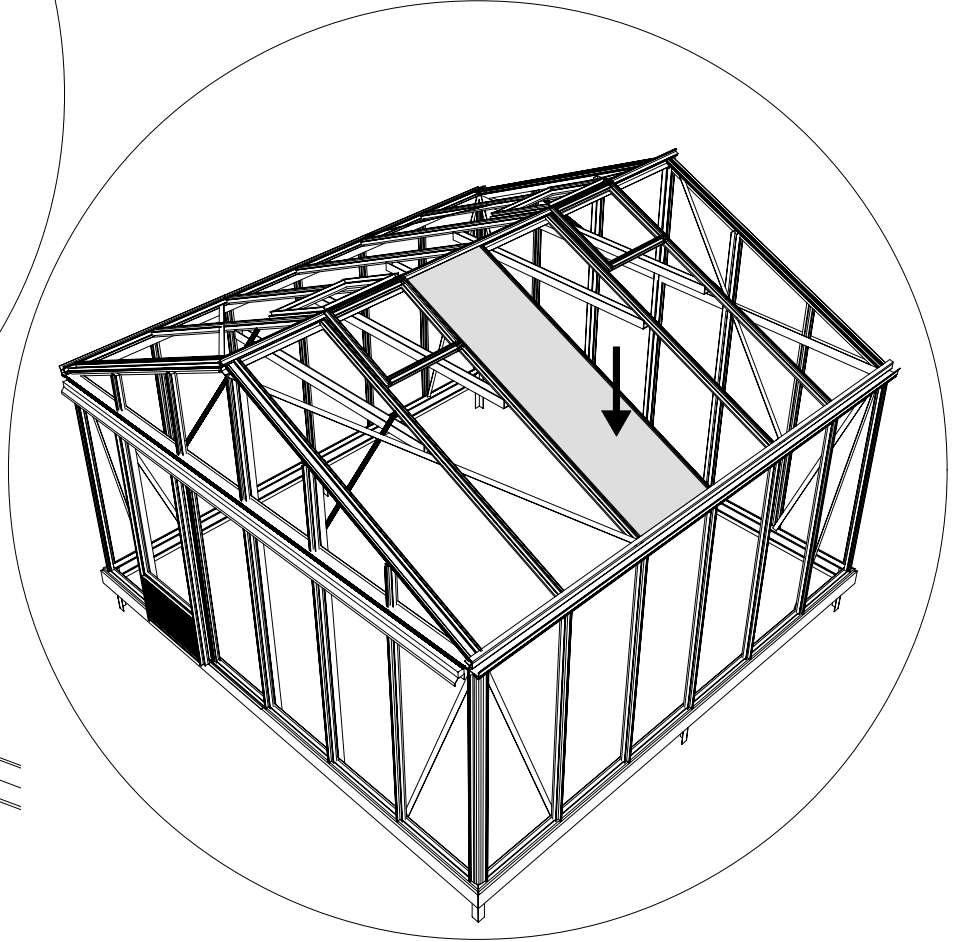
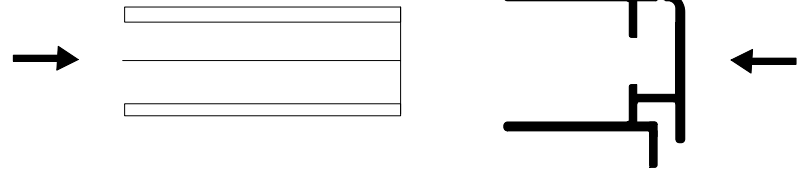
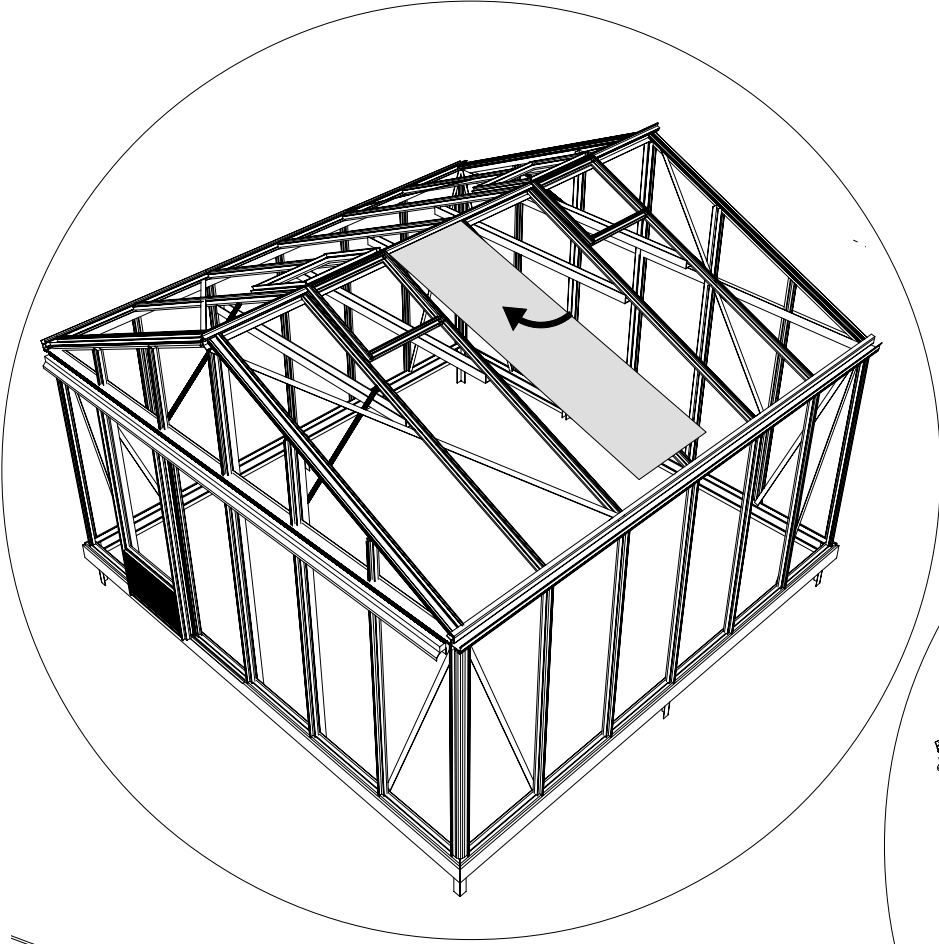


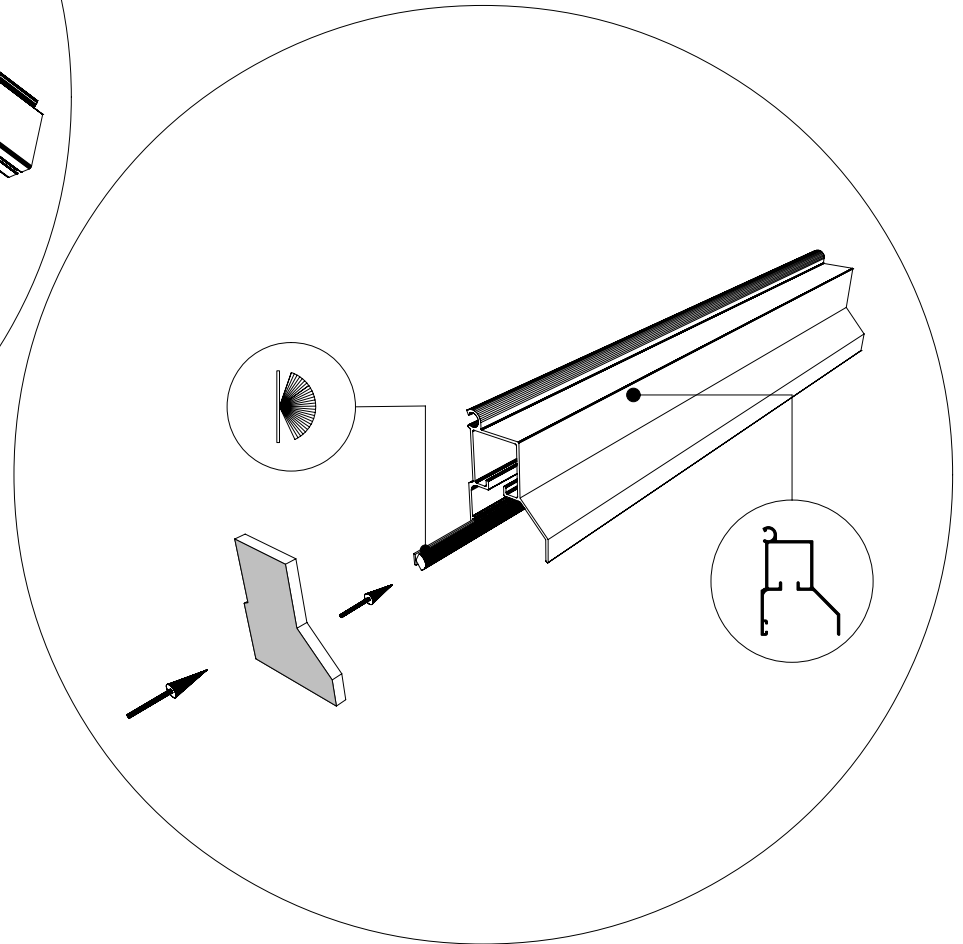
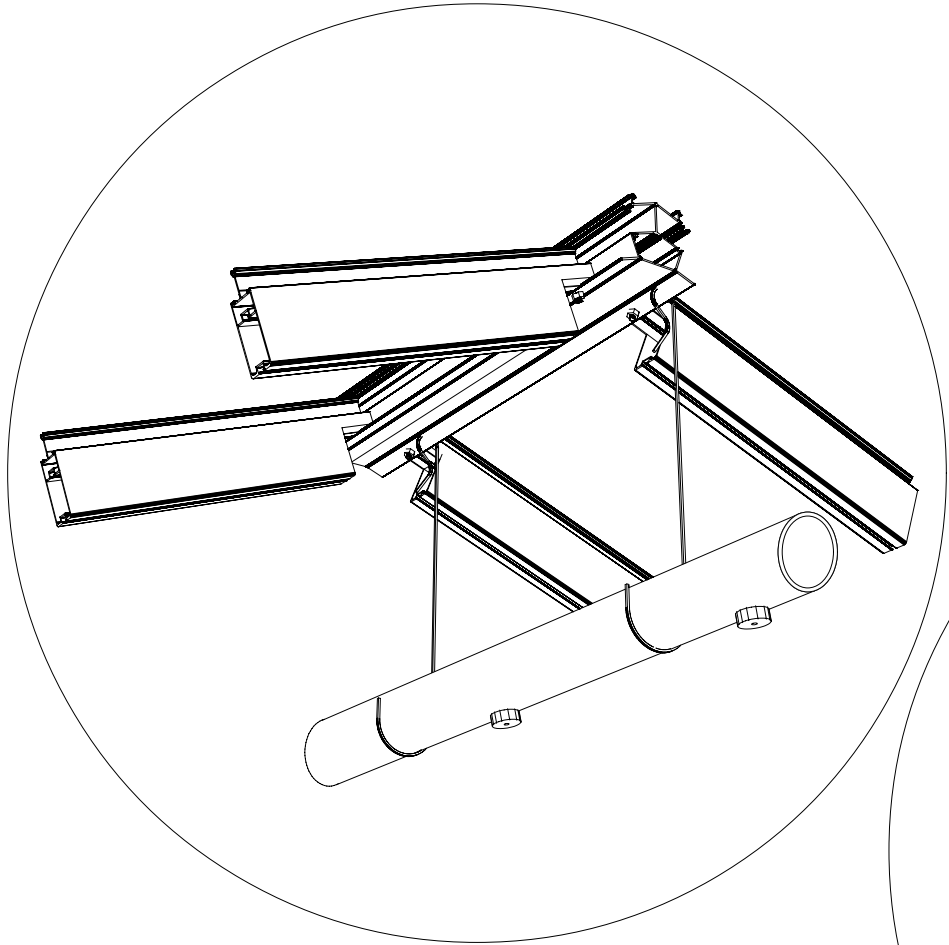


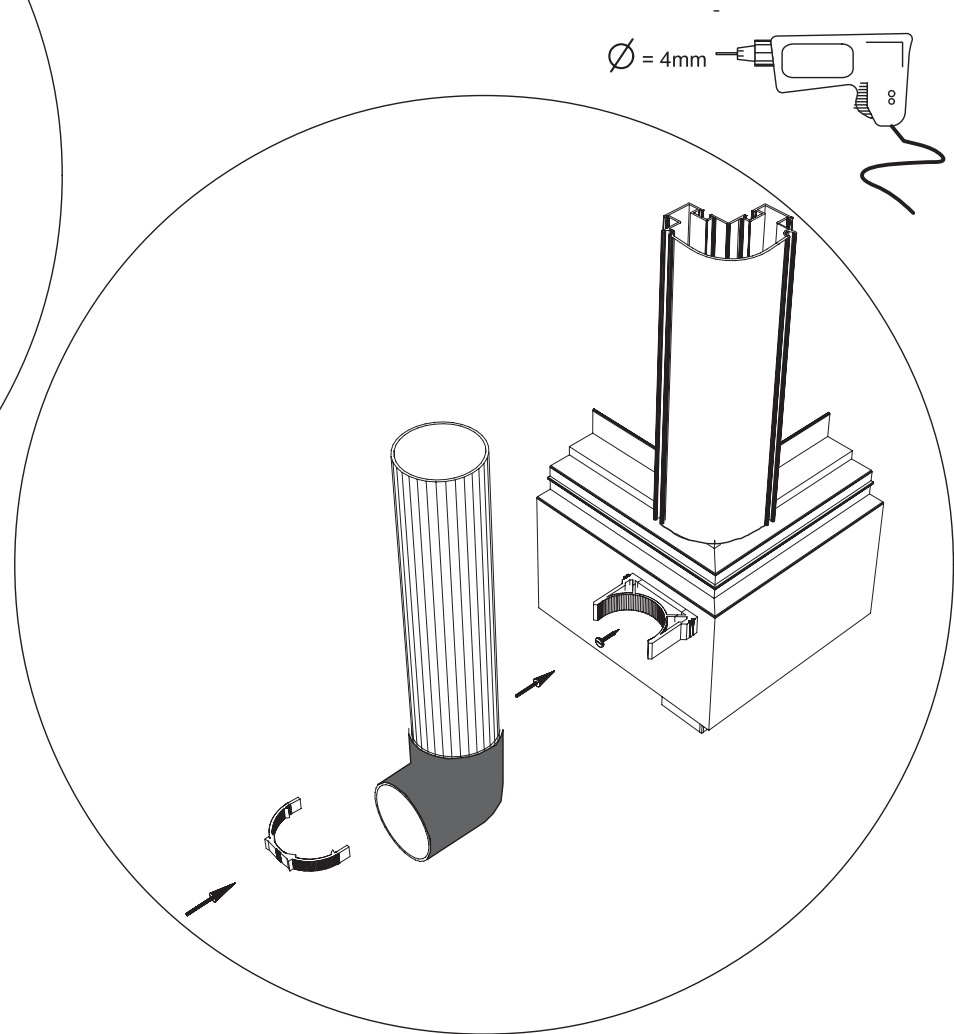
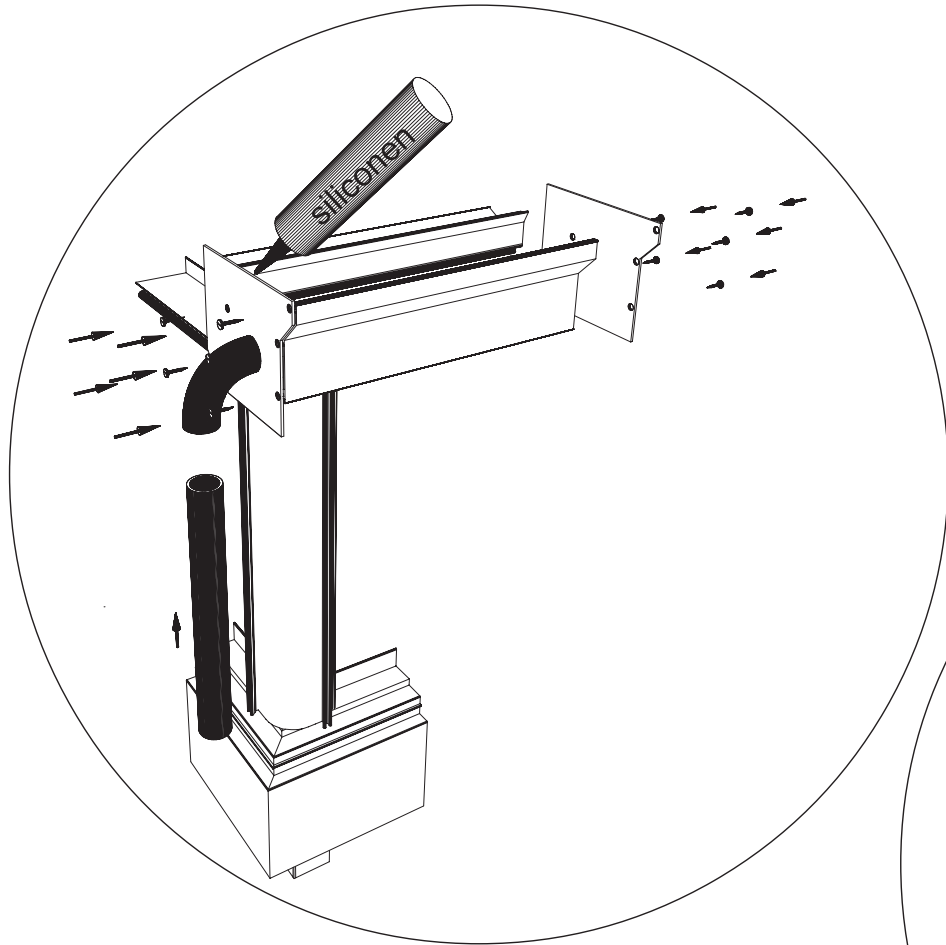
TYPE	4,09		6,07	
	1633	1833	1633	1833
A	1640 x 980	1840 x 980	1640 x 980	1840 x 980
B	1260 x 845	1460 x 845	1260 x 845	1460 x 845
C 1	695x980x375	695x980x375	1062x980x732	1062x980x732
C 2	—	—	728x980x390	728x980x390
D	370x1000x35	370x1000x35	385x995x38	385x995x38
E	2100 x 980	2100 x 980	3158 x 980	3158 x 980
F	1290 x 980	1290 x 980	2323 x 980	2323 x 980
G	815 x 980	815 x 980	815 x 980	815 x 980
H	1640 x 950	1840 x 950	1640 x 950	1840 x 950











∅ = 4mm

